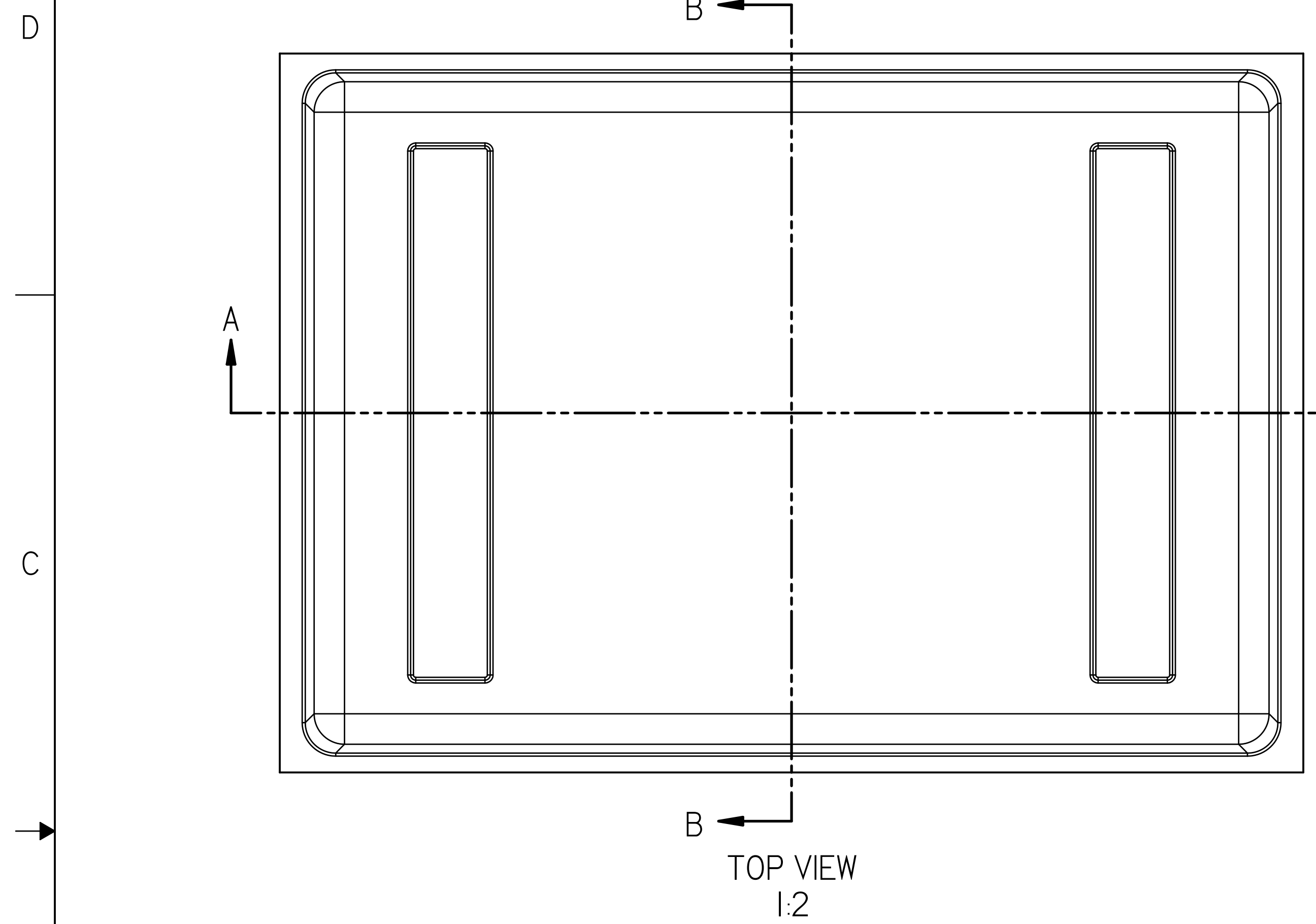
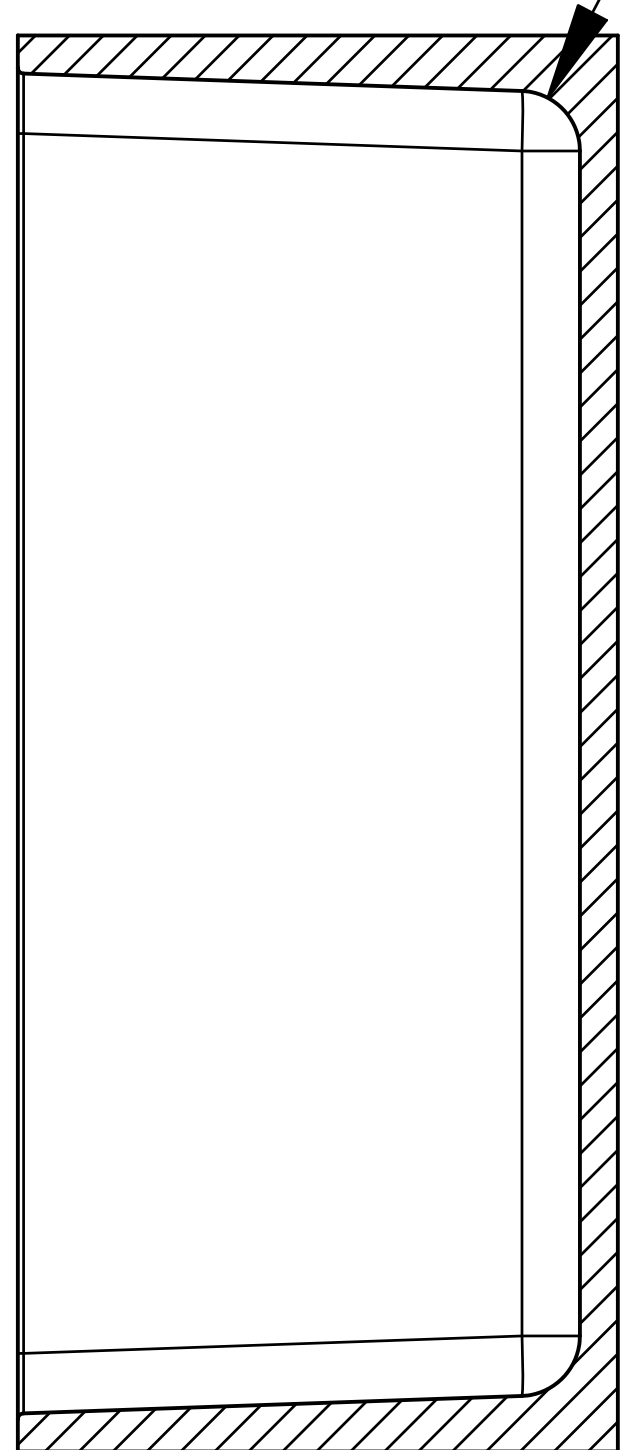


NOTES:
 1. ALL DIMENSIONS ARE TO INTERNAL GEOMETRY OF CASE.
 2. CONTAINER SIDES ARE AT A 2° DRAFT.
 3. TOLERANCES UNSPECIFIED.

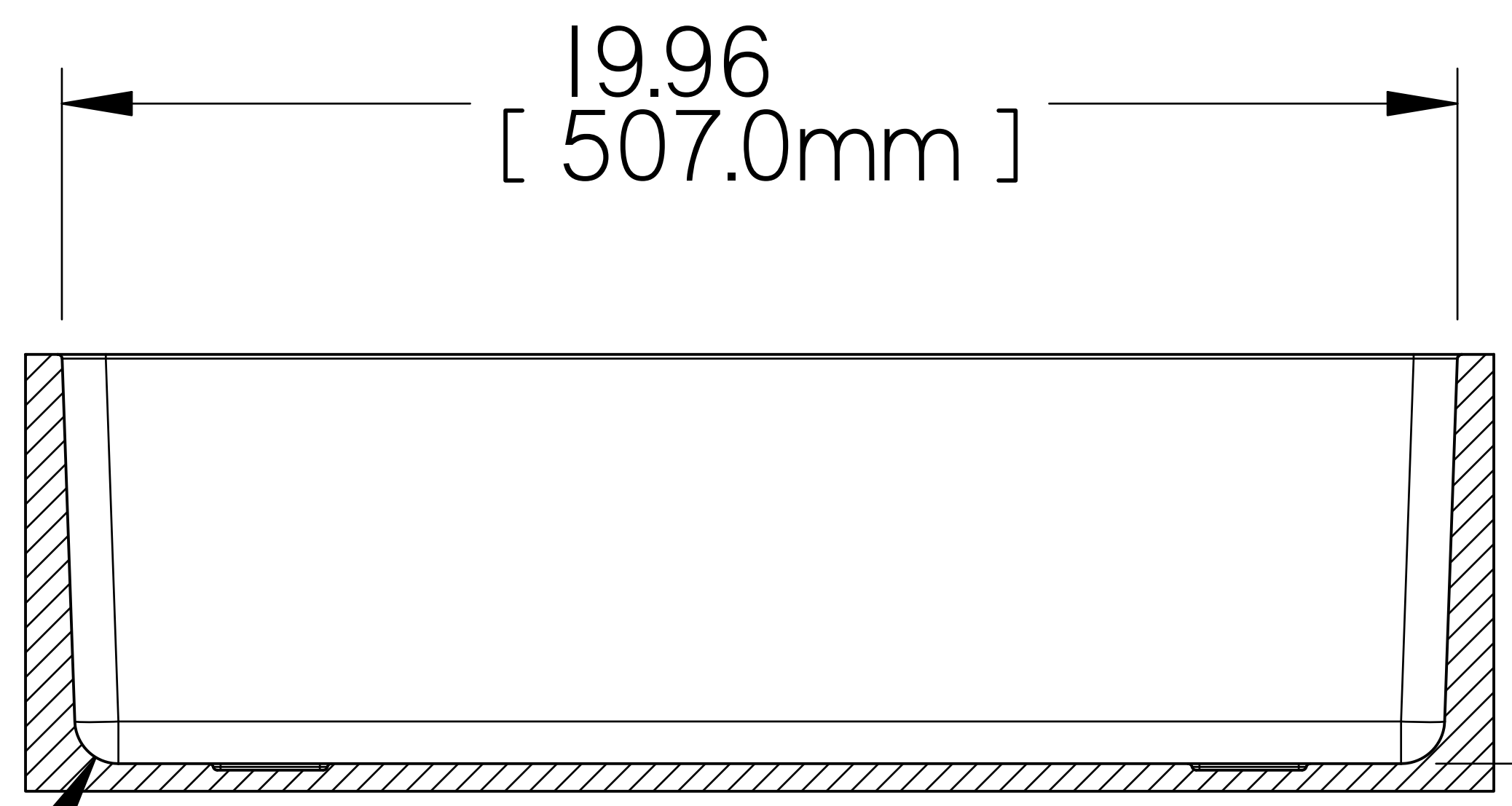
REVISION HISTORY				
ZONE	REV	E.C.D.	DESCRIPTION	BY/DATE



13.96
[354.6mm]



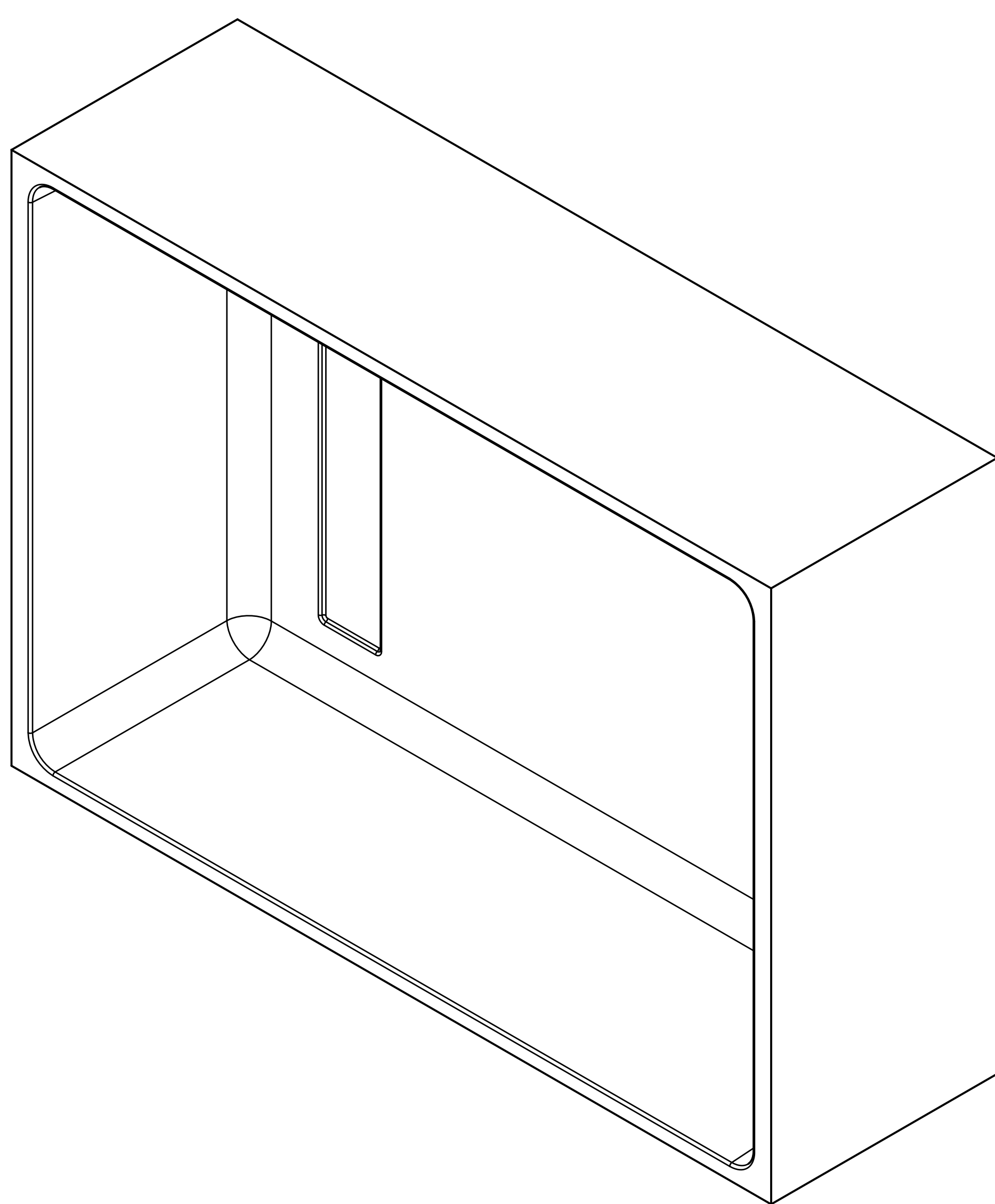
R .62
[15.9mm]



19.96
[507.0mm]

5.86
[148.7mm]

R .62
[15.9mm]



NEXT ASSY.	FINAL	SCALE	1/2
TOLERANCE	UNLESS OTHERWISE SPECIFIED	± .XX	± .XXX
DR.	D. SPRAGUE	DATE	10-05-18
ENGR.	D. SPRAGUE	DATE	10-05-12
CHKD.		DATE	

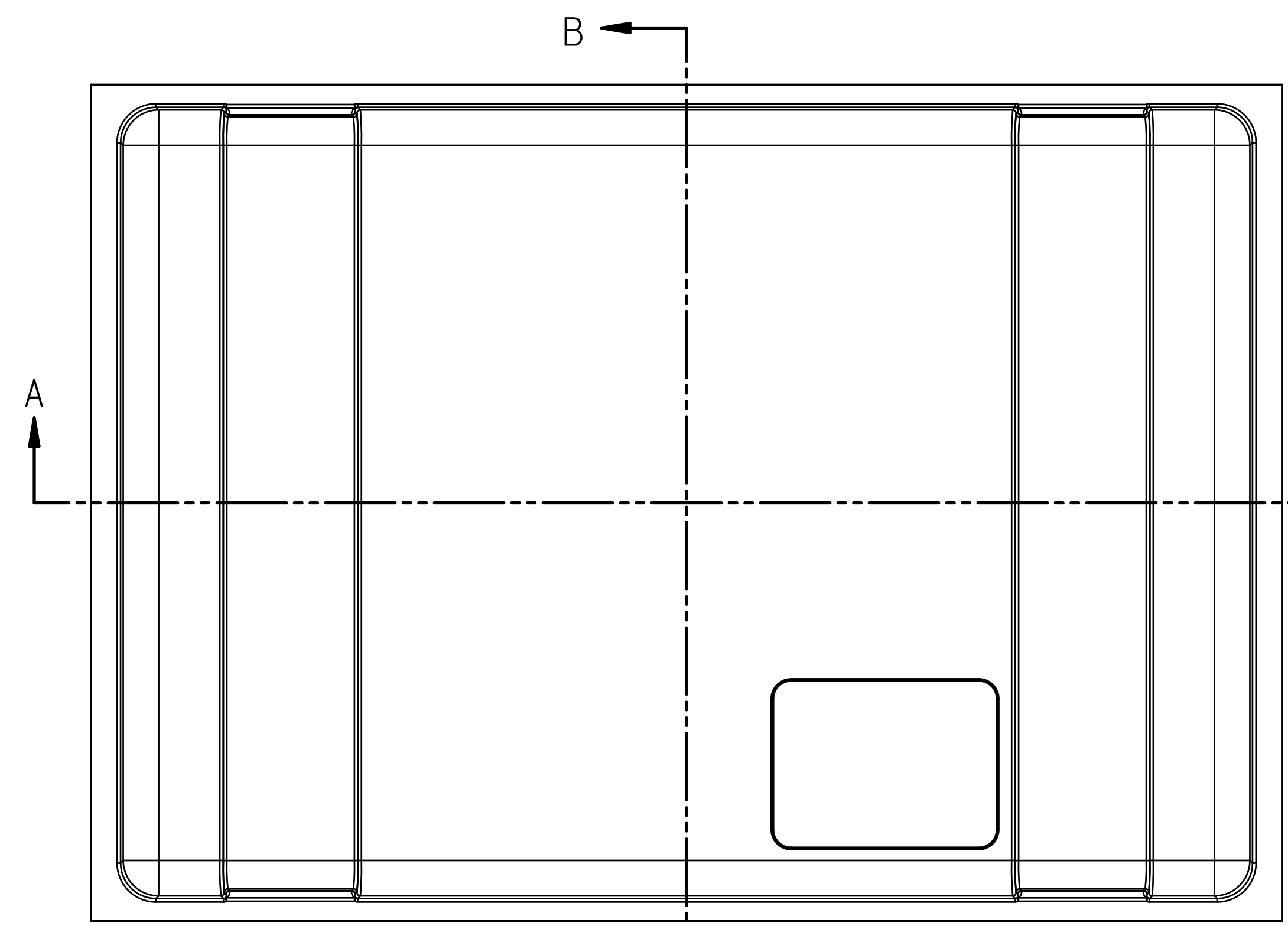
PELICAN PRODUCTS INC. PELICAN STORM CASE South Deerfield, Massachusetts 01373 USA			
TITLE IM2600 CASE BASE INTERNAL GEOMETRY			
SIZE	D	DWG NO.	IM2600-B
PROJ. NO.	N/A	SHEET	1 OF 1

COMPUTER CONTROLLED DOCUMENT
MANUAL CHANGES NOT ALLOWED

DWG NO. IM2600-B
SHEET 1 OF 1
REV -

NOTES:
 1. ALL DIMENSIONS ARE TO INTERNAL GEOMETRY OF CASE.
 2. CONTAINER SIDES ARE AT A 2° DRAFT.
 3. TOLERANCES UNSPECIFIED.

REVISION HISTORY				
ZONE	REV	E.C.O.	DESCRIPTION	BY/DATE

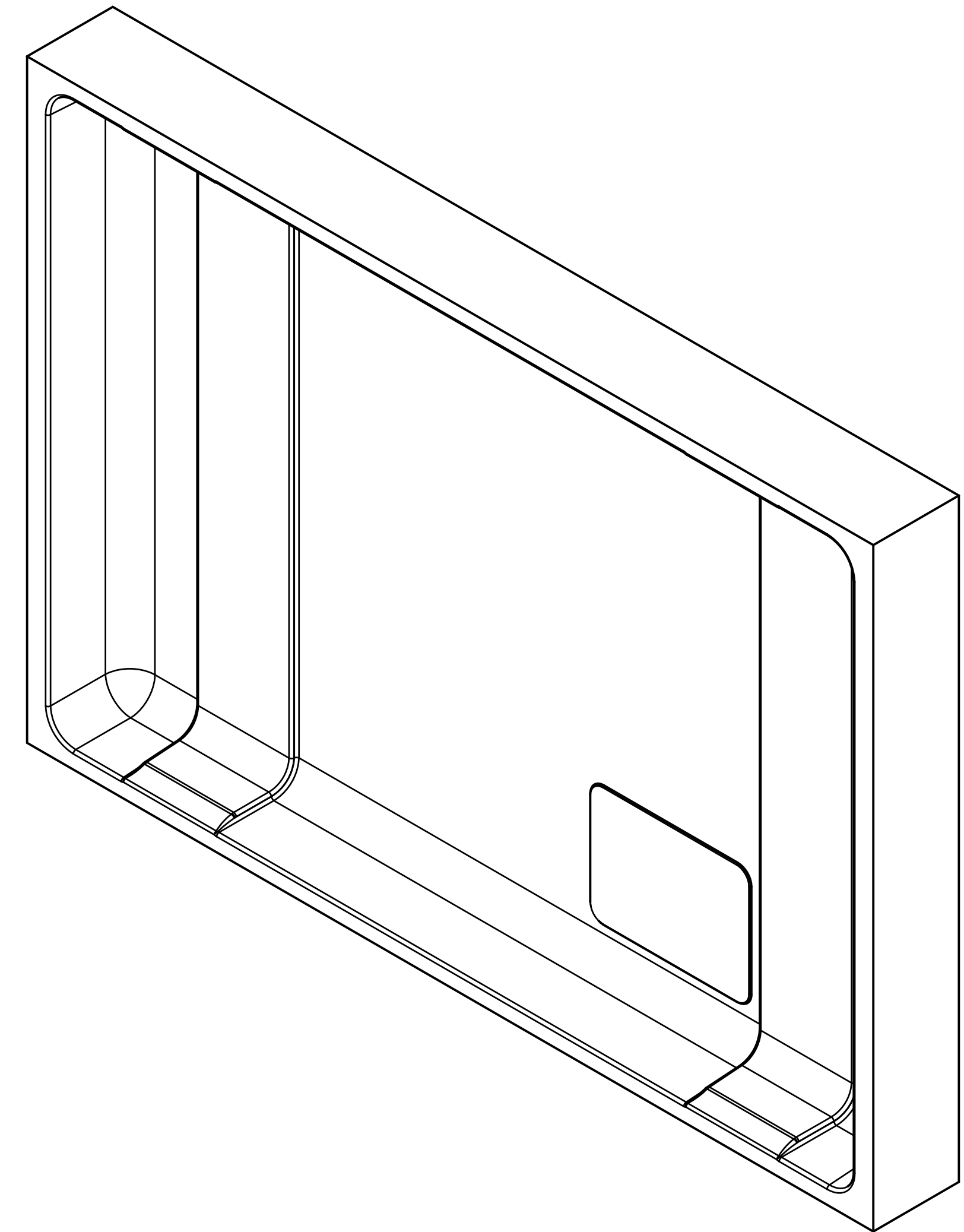


BOTTOM VIEW
1:2

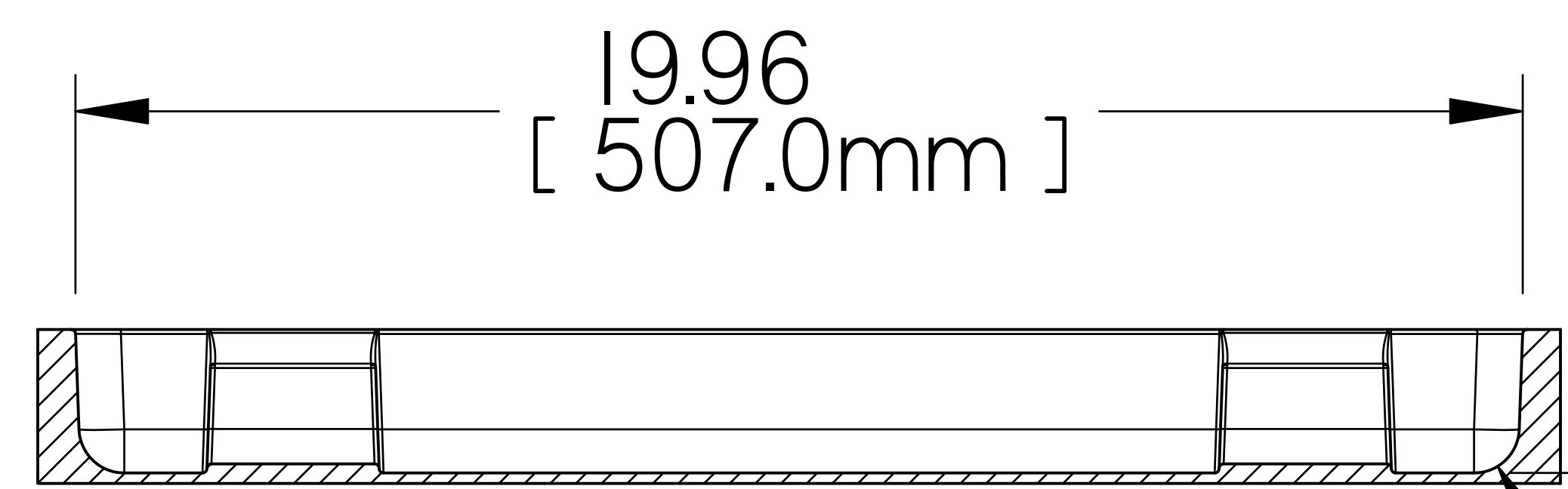
13.96
[354.6mm]

R .62
[15.9mm]

SECTION B-B



ISO VIEW



19.96
[507.0mm]

1.98
[50.3mm]

SECTION A-A

R .62
[15.9mm]



NEXT ASSY:	FINAL	SCALE	1/2
TOLERANCE	UNLESS OTHERWISE SPECIFIED	± .XX	± .XXX
DR.	D. SPRAGUE	DATE	10-05-18
ENGR.	D. SPRAGUE	DATE	10-05-12
CHKD.		DATE	

PELICAN PRODUCTS INC. PELICAN STORM CASE South Deerfield, Massachusetts 01373 USA			
TITLE IM2600 CASE LID INTERNAL GEOMETRY			
SIZE	D	CAGE CODE	
DWG NO.	IM2600-L	REV	-
PROJ. NO.	N/A	SHEET	1 OF 1

COMPUTER CONTROLLED DOCUMENT
MANUAL CHANGES NOT ALLOWED

DWG NO. IM2600-L
SHEET 1 OF 1
REV -