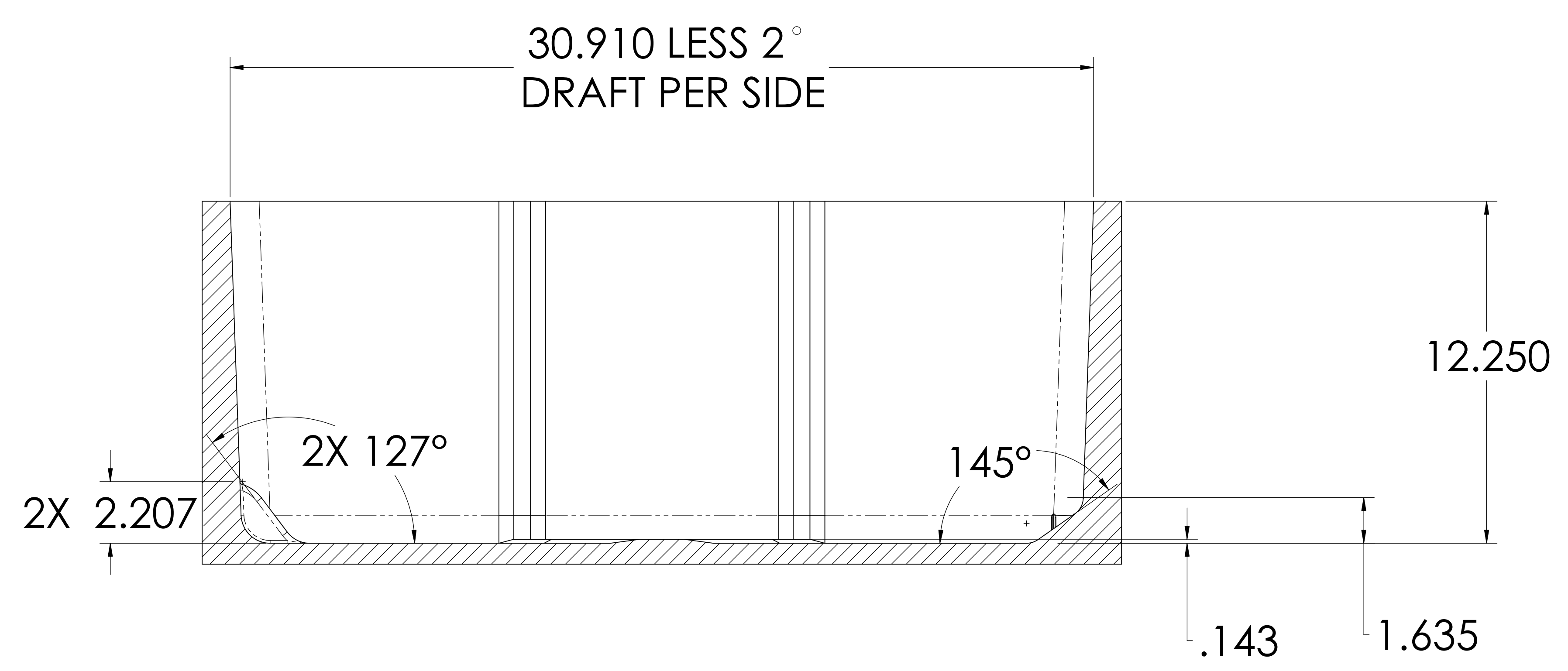
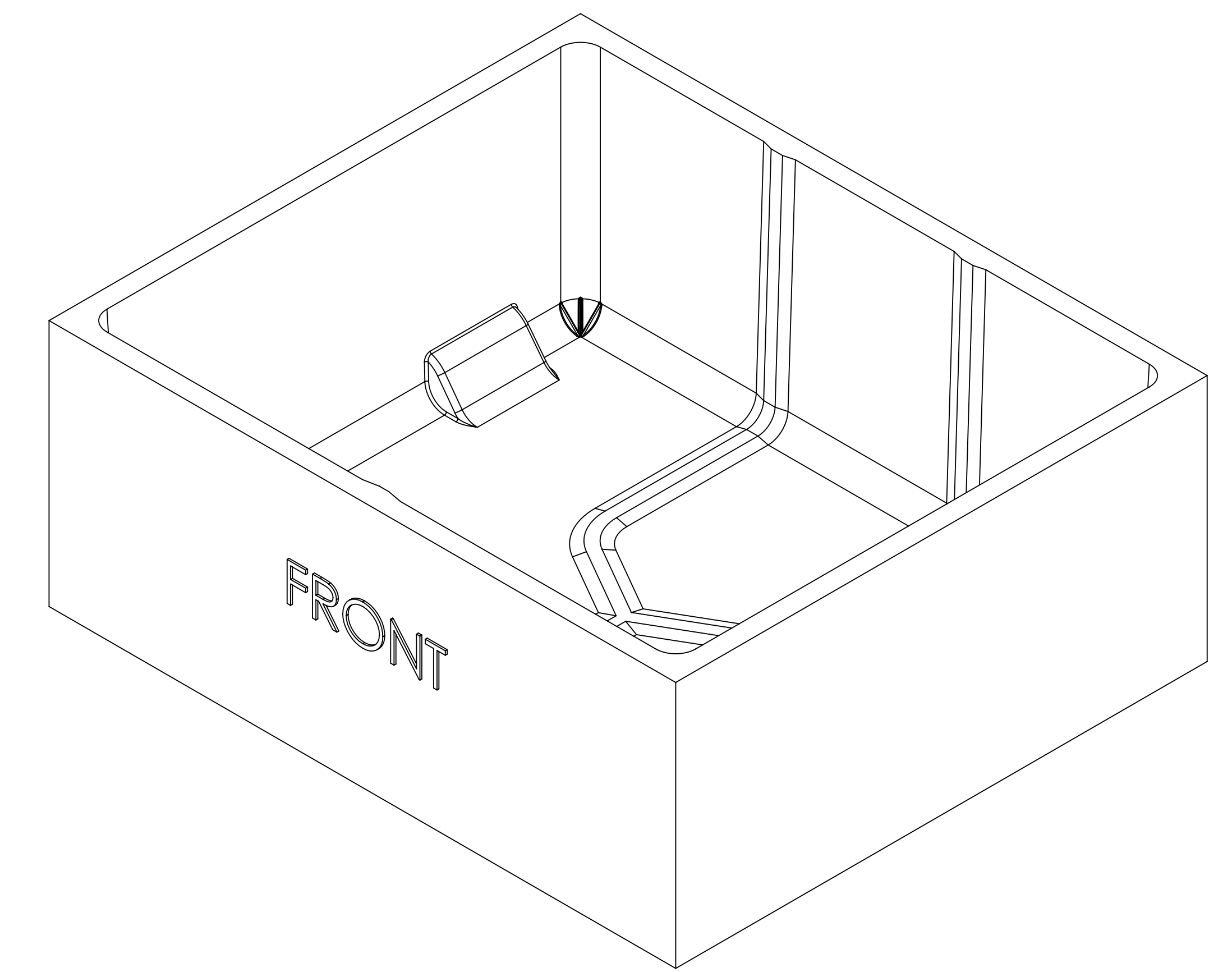



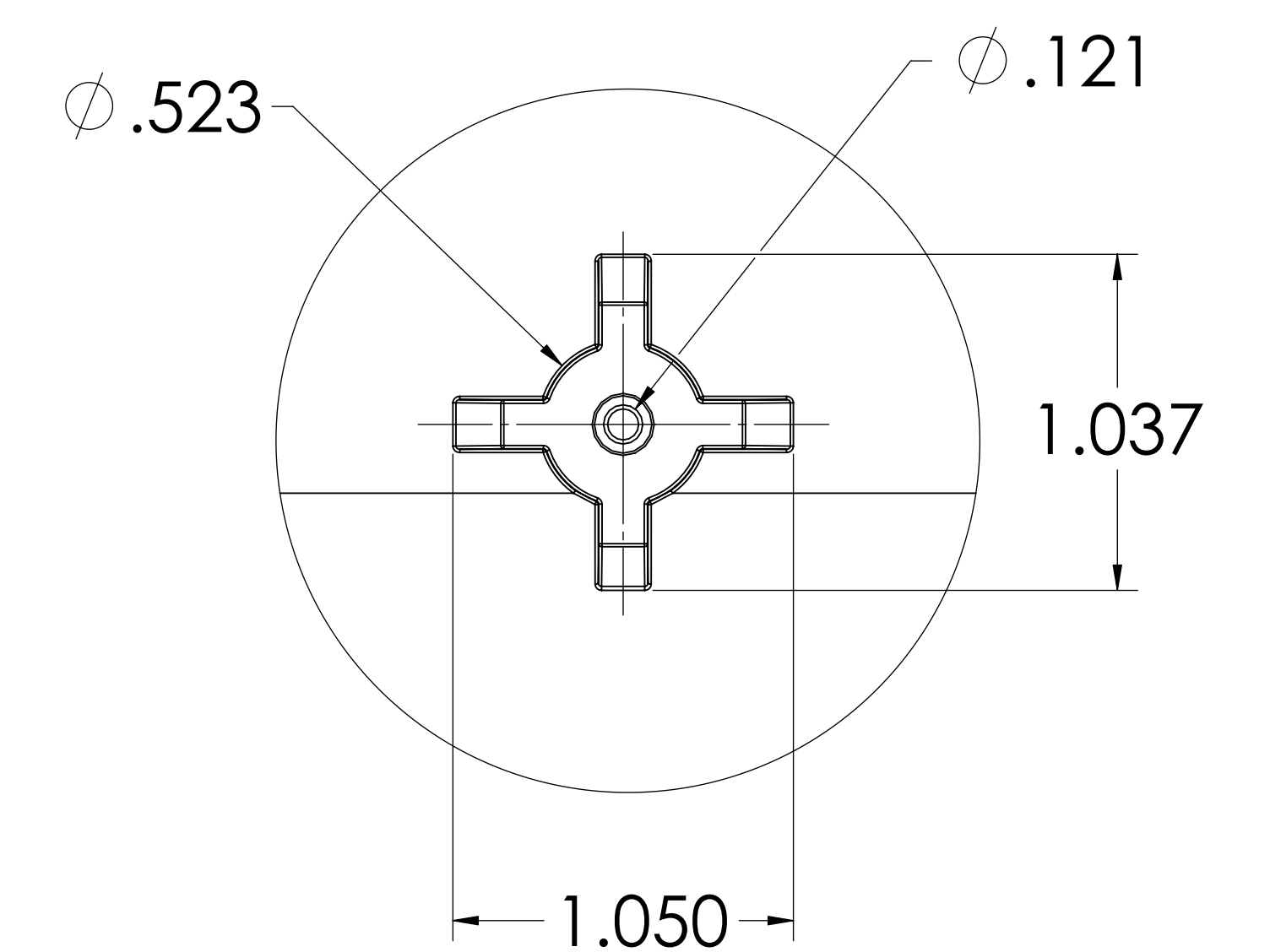
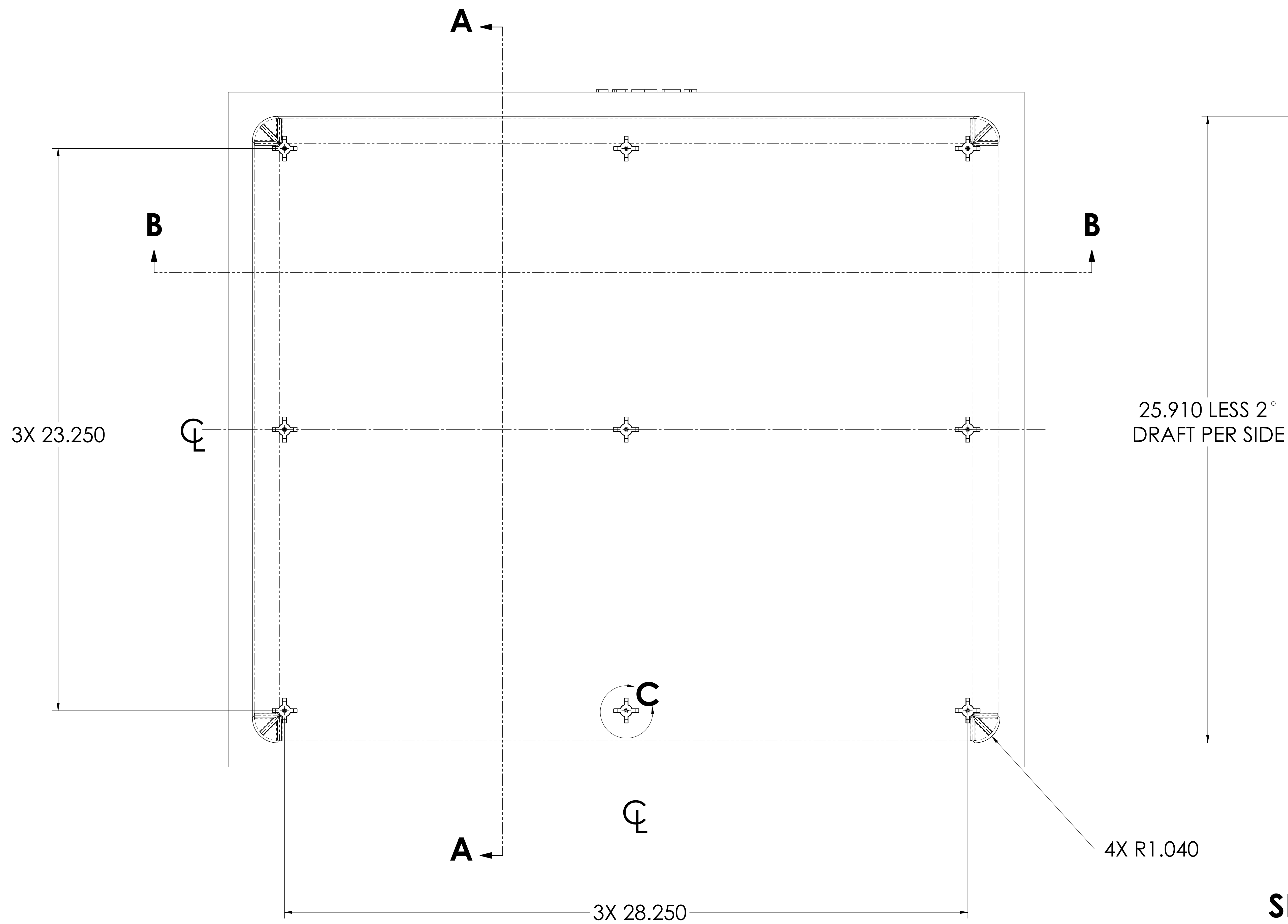
**SECTION B-B**  
**SCALE 1 : 3**



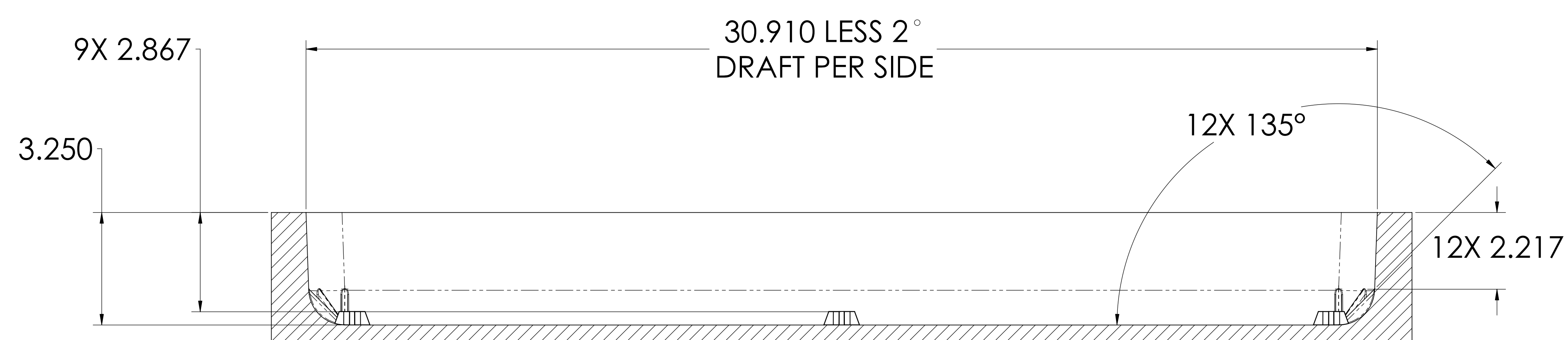
**SECTION A-A**  
**SCALE 1 : 3**



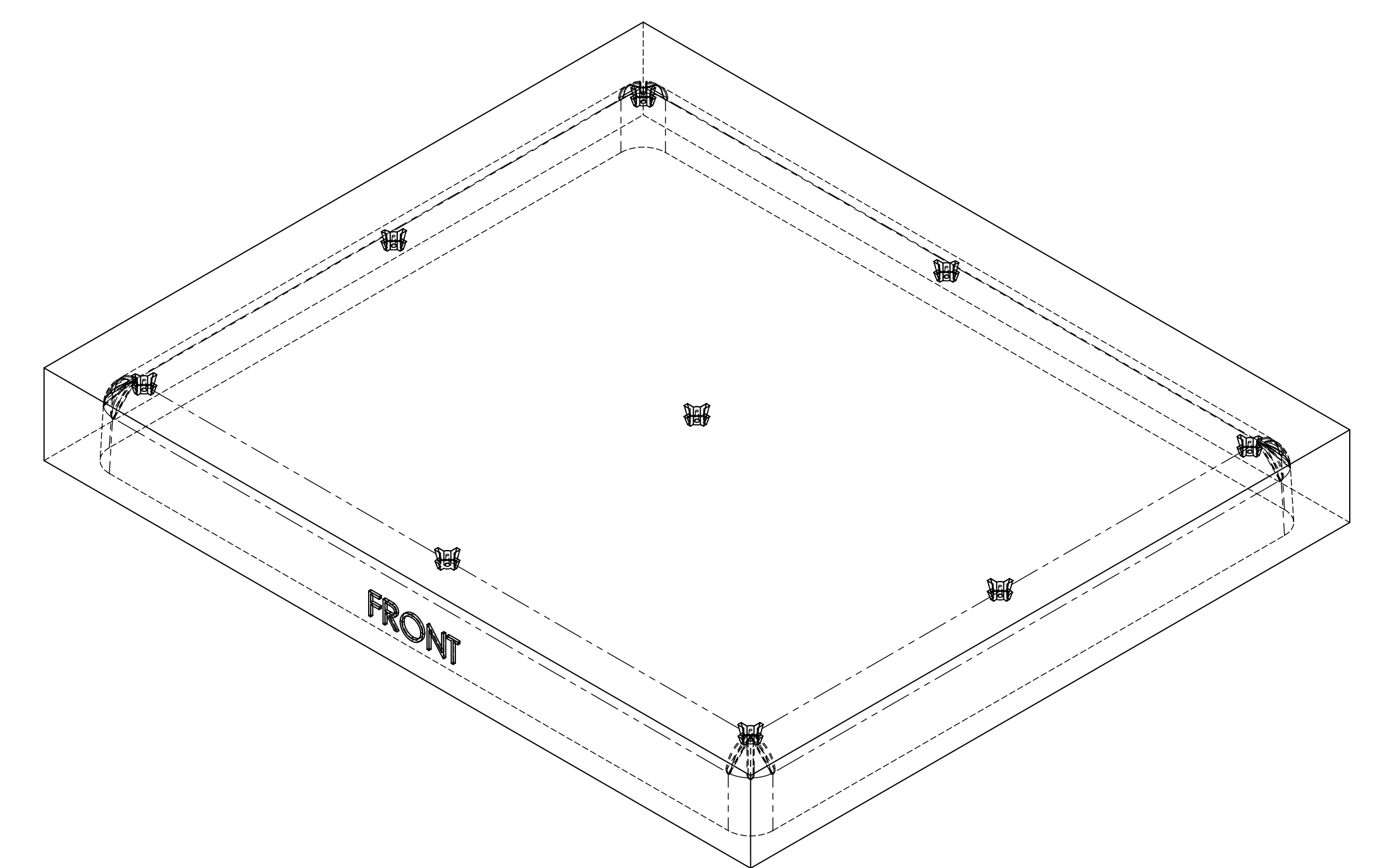
 <p><b>PELICAN</b> You break it, we replace it... forever.</p>	<p><small>This Drawing contains information proprietary to Pelican Products Inc. Any reproduction, disclosure or use of this drawing requires written permission of Pelican Products Inc.</small></p>	<p><b>PELICAN PRODUCTS INC.</b> 23215 EARLY AVE., TORRANCE, CA 90505 (310) 326-4700</p>	
		<p>TITLE 1690 CASE BOTTOM, INTERNAL GEOMETRY</p>	<p>SIZE SCALE DRAWING NO. P/N E 1:1 1690 CASE BOTTOM 01</p>
<p>DO NOT SCALE DRAWING</p>		<p>SHEET 1 OF 1</p>	



**DETAIL C  
SCALE 2 : 1**



**SECTION B-B  
SCALE 1 : 2**



<small>This Drawing contains information proprietary to Pelican Products Inc. Any reproduction, disclosure or use of this drawing requires written permission of Pelican Products Inc.</small>		<b>PELICAN PRODUCTS INC.</b> 23215 EARLY AVE., TORRANCE, CA 90505 (310) 326-4700
TITLE	1690 CASE TOP, INTERNAL GEOMETRY	
SIZE	SCALE	DRAWING NO.
E	1:1	1690 CASE TOP
DO NOT SCALE DRAWING		SHEET 1 OF 1