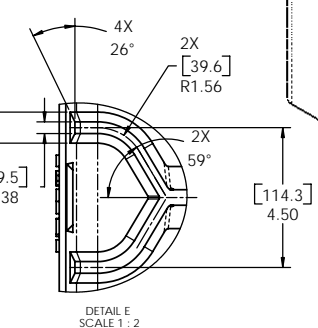
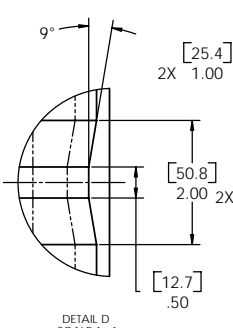
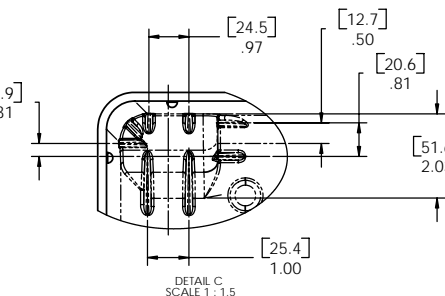
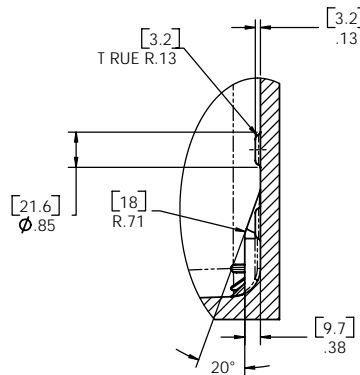
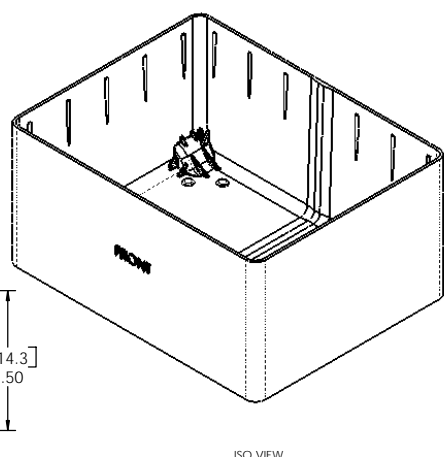
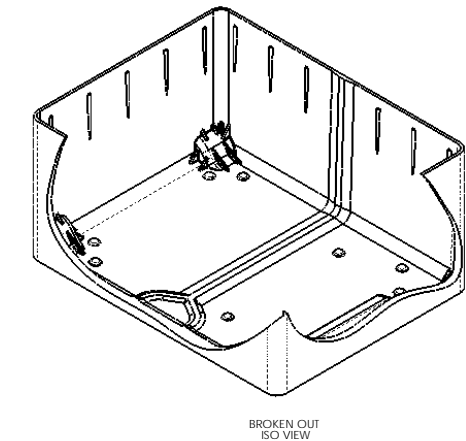
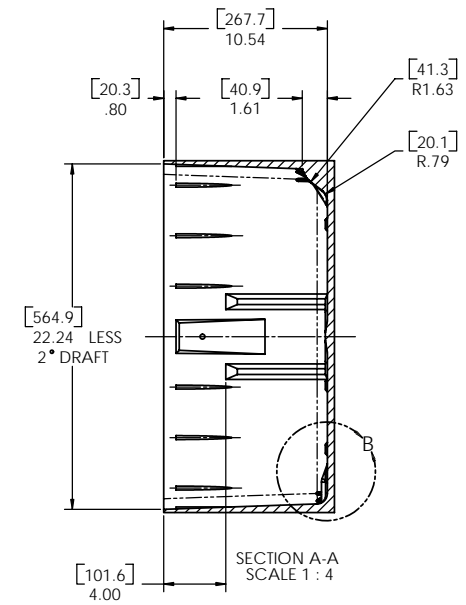
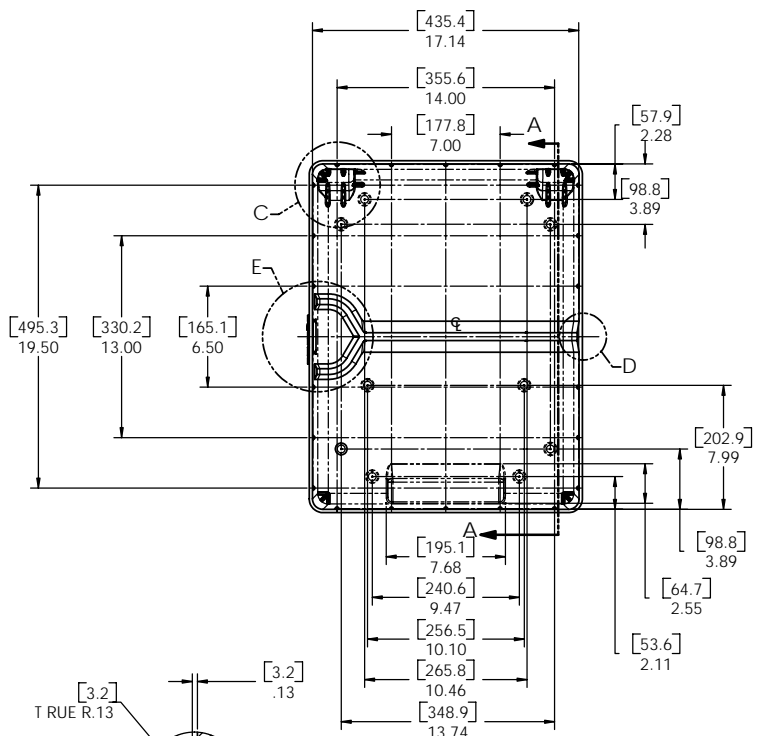


REVISIONS				
REV	DESCRIPTION	DATE	ENR/IR	APPROV

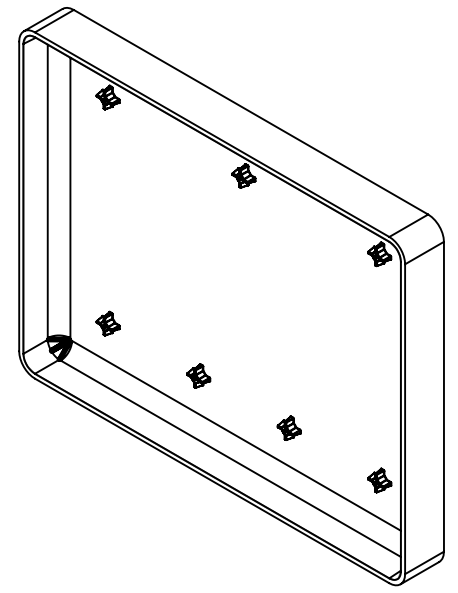
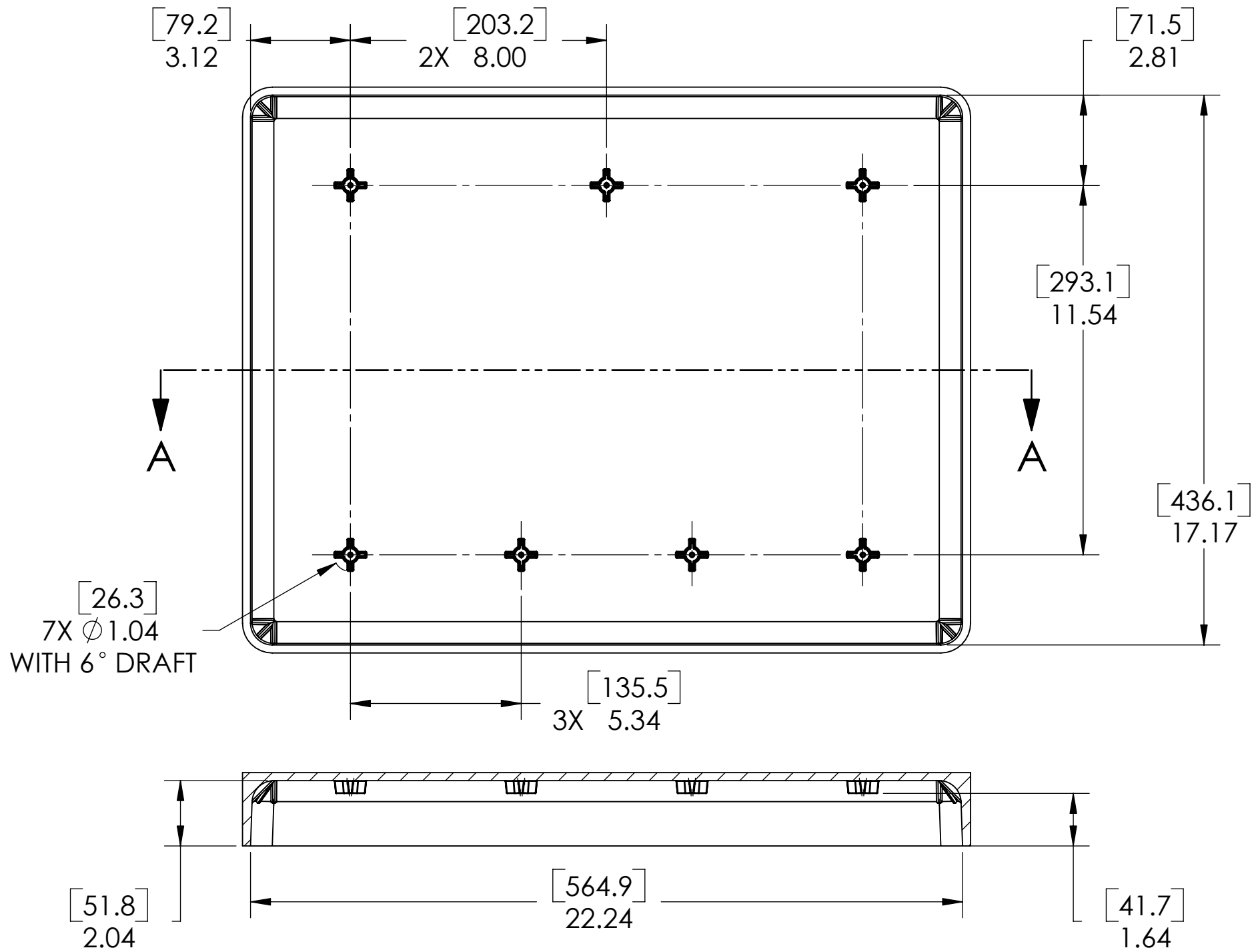


1. ALL DIMENSIONS ARE TO INTERNAL GEOMETRY OF CASE.
 NOTES: UNLESS OTHERWISE SPECIFIED.



UNSPECIFIED TOLERANCES	APPROVALS	DATE	PELICAN PRODUCTS INC.	
			23215 EARLY AVE., TORRANCE, CA 90505 (310) 326-4700	
	TITLE	1620 CUBE CASE, BOTTOM INTERNAL GEOMETRY		
	SIZE	SCALE	DRAWING NO.	PR
	D	1:1	1620	PR
DO NOT SCALE DRAWING				
			1	1

		1620		
REVISIONS				
REV.	DESCRIPTION	DATE	DRFTR	APPR'VD



SECTION A-A
SCALE 1 : 4

1. ALL DIMENSIONS ARE TO INTERNAL GEOMETRY OF CASE.
NOTES: UNLESS OTHERWISE SPECIFIED.



UNSPECIFIED TOLERANCES	APPROVALS DATE		PELICAN PRODUCTS INC. 23215 EARLY AVE., TORRANCE, CA 90505 (310) 326-4700			
	DESIGN					
	CHECKED		TITLE 1620 CUBE CASE, TOP INTERNAL GEOMETRY			
This Drawing contains information proprietary to Pelican Products Inc. any reproduction disclosure or use of this drawing requires written permission of Pelican Products Inc.	APPROVED		SIZE B	SCALE 1:4	DRAWING NO. 1620	REV PR
	DO NOT SCALE DRAWING			SHEET 1 OF 1		