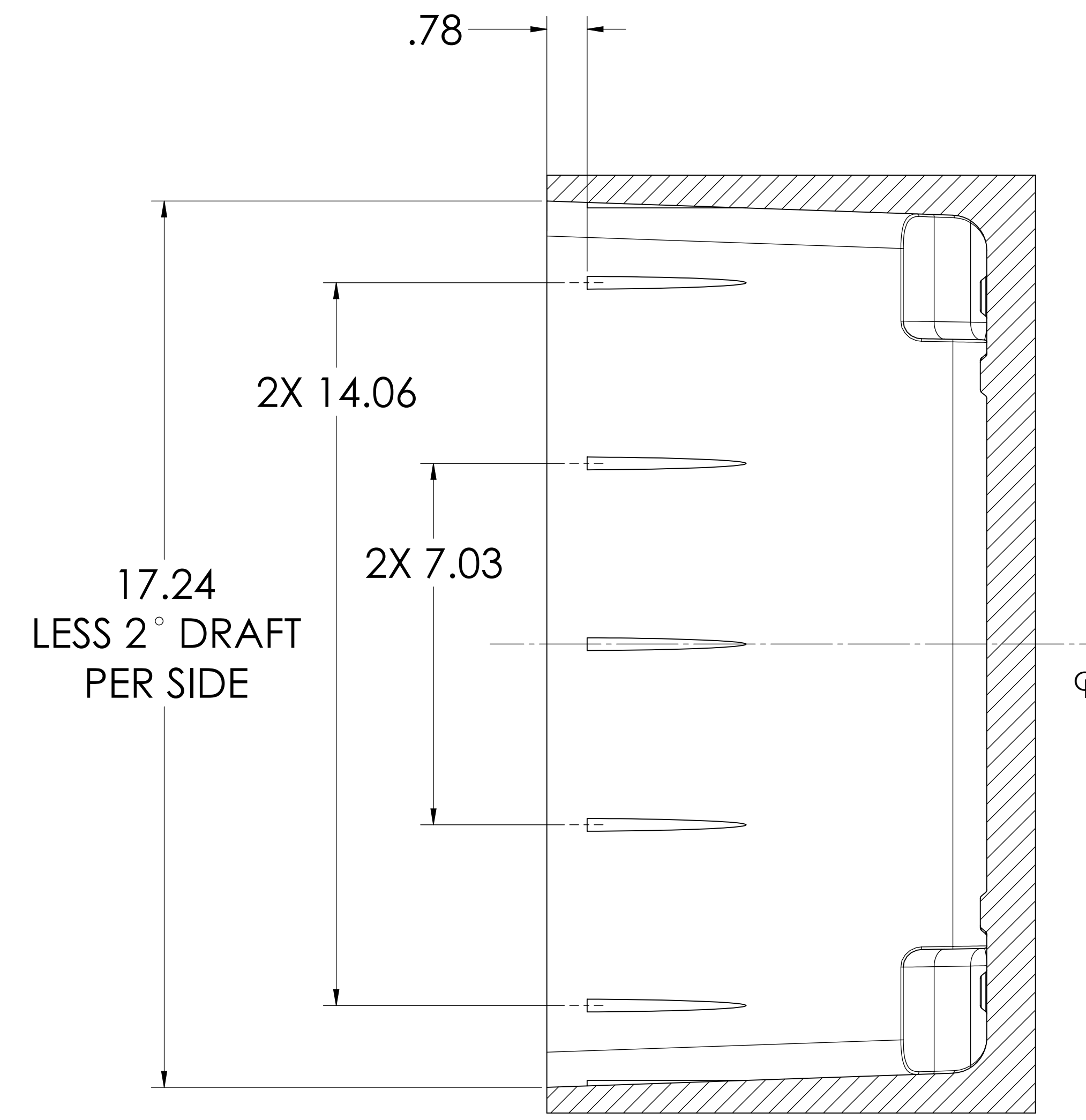
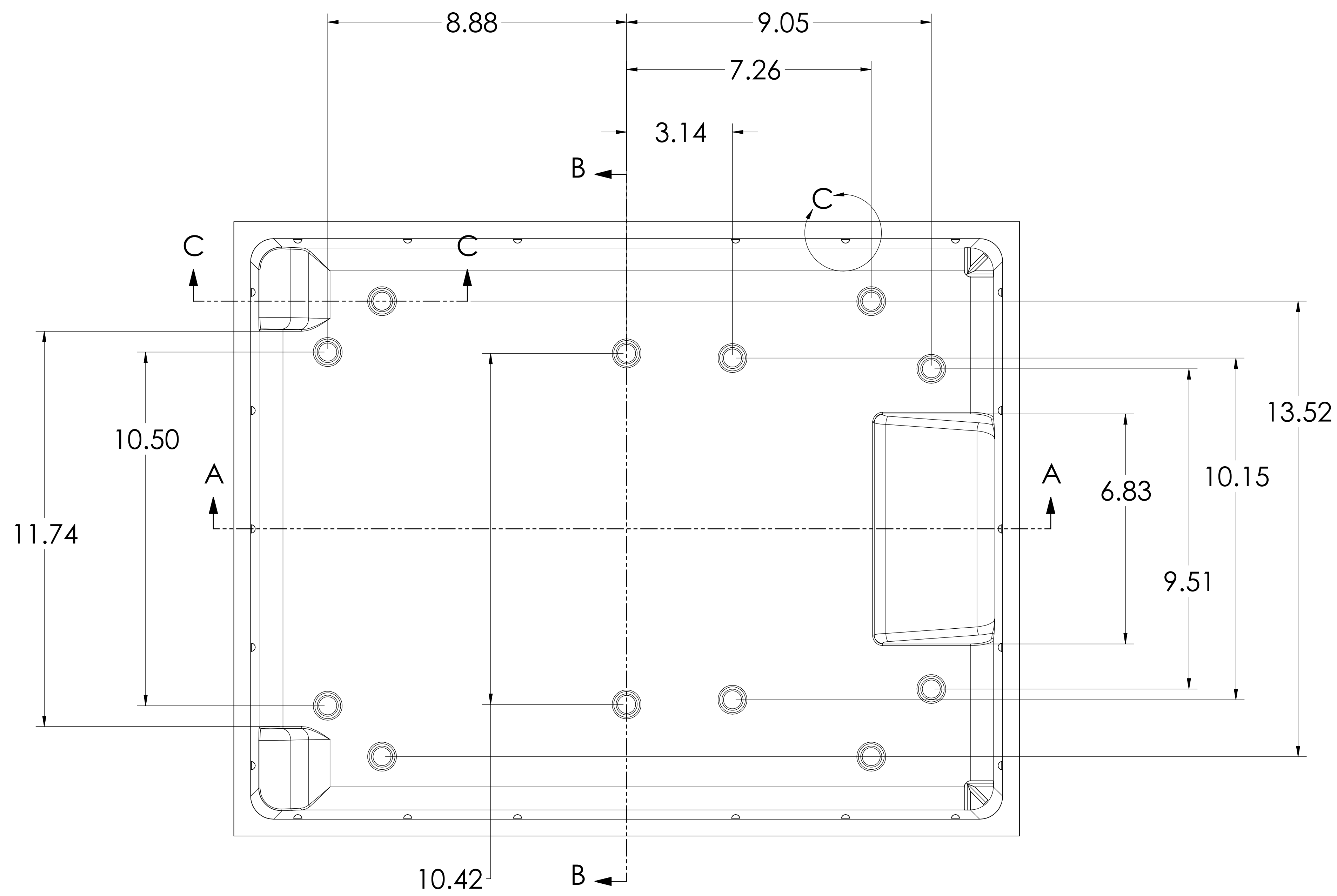
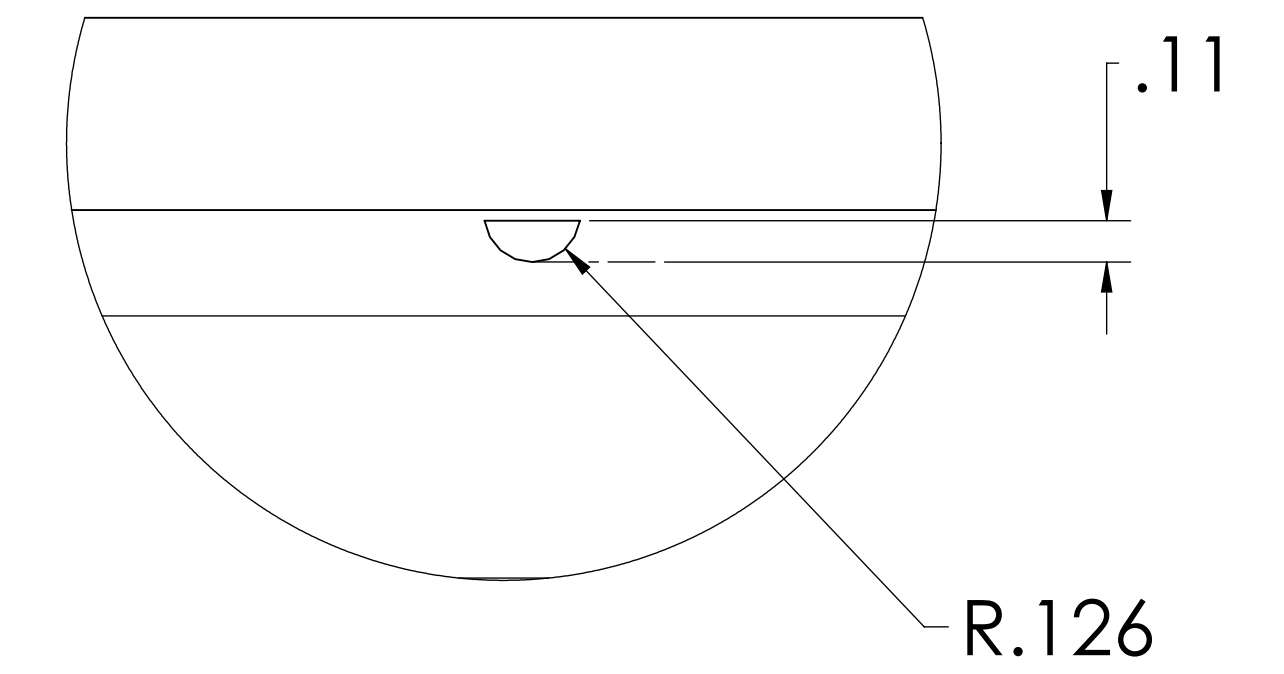


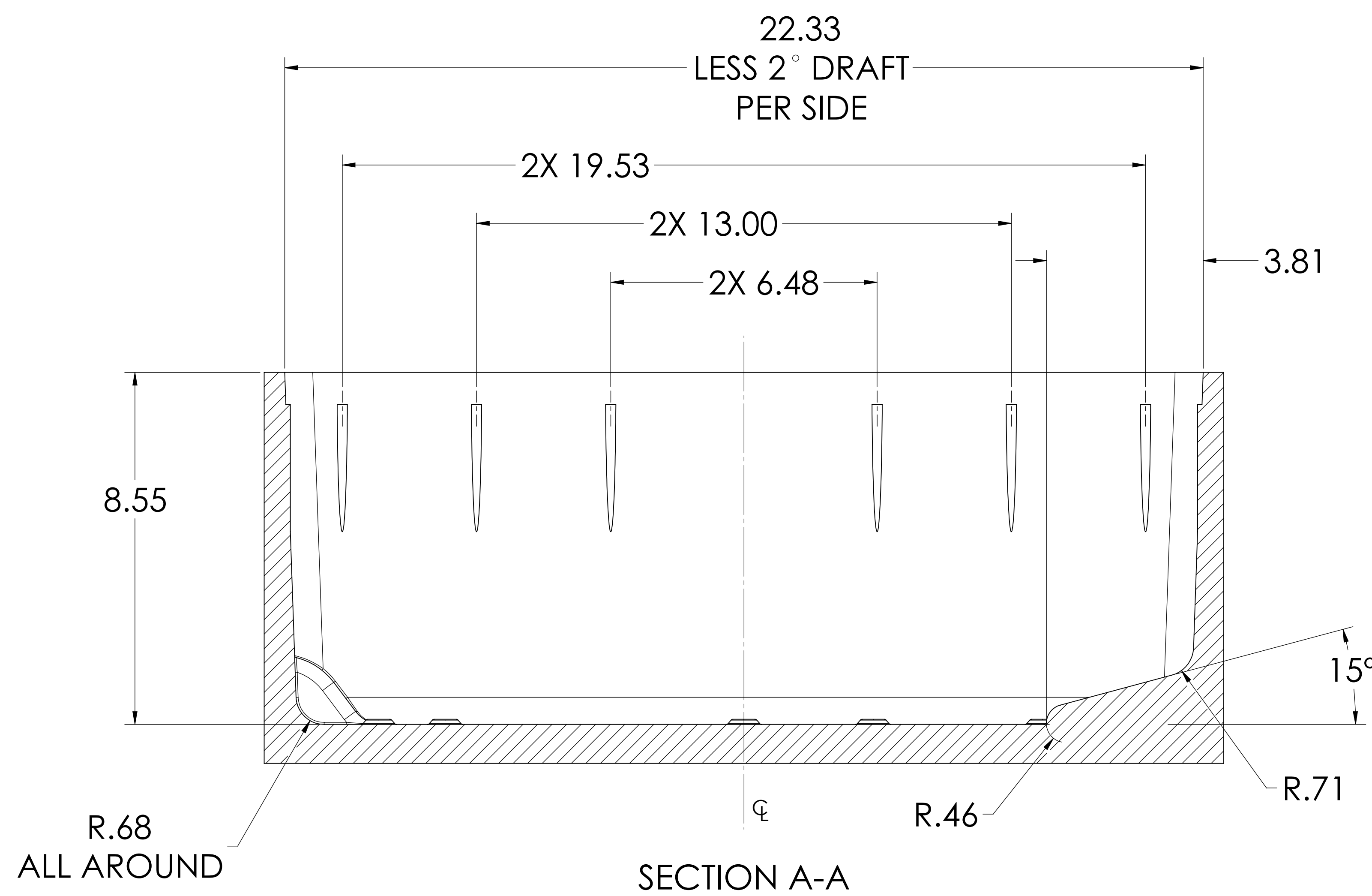
REVISIONS					
REV.	DESCRIPTION	ECO	DATE	DRAFTER	APPROVED
PR	OEM DRAWING RELEASE		6.25.08	DA	BT



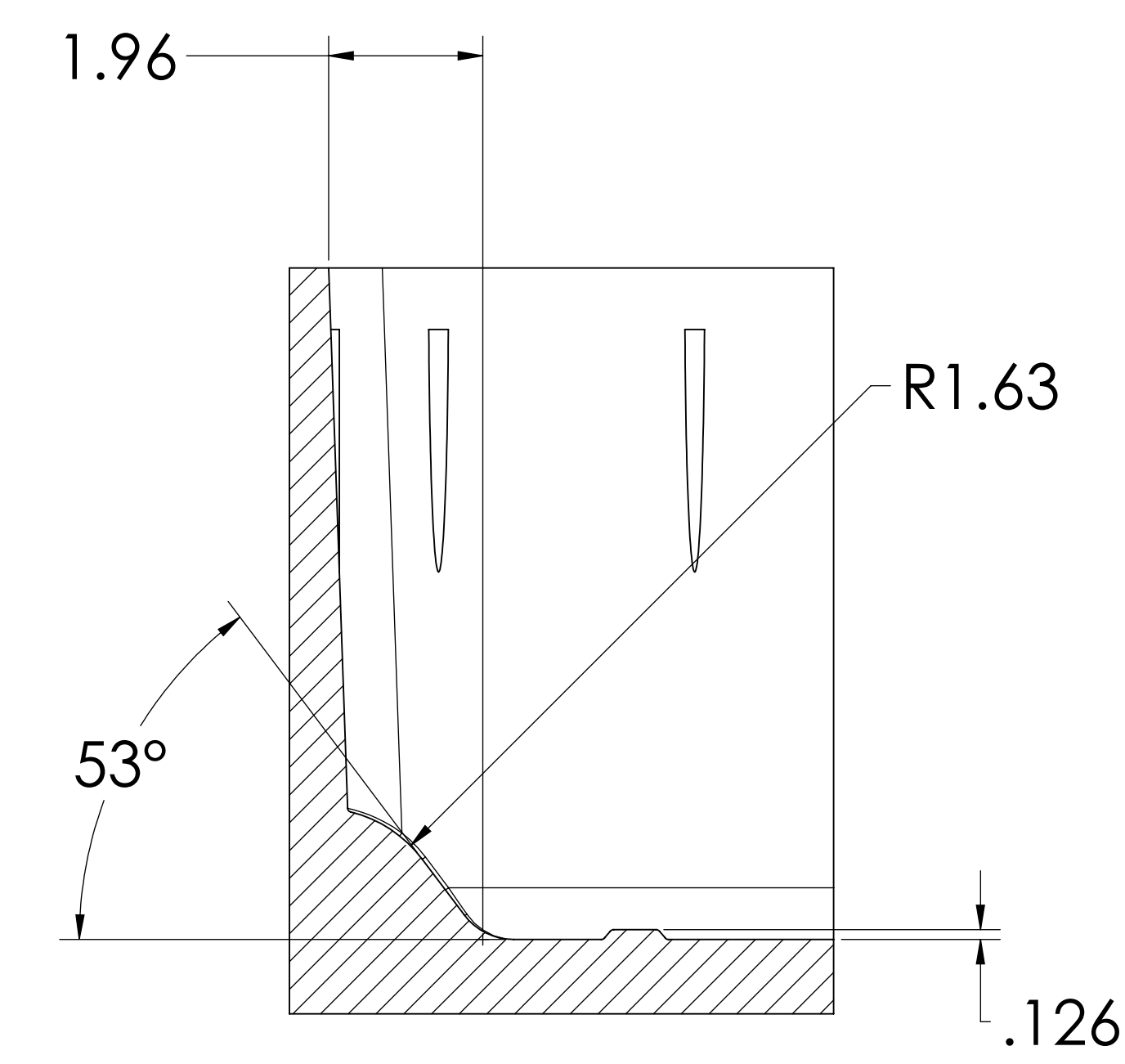
SECTION B-B



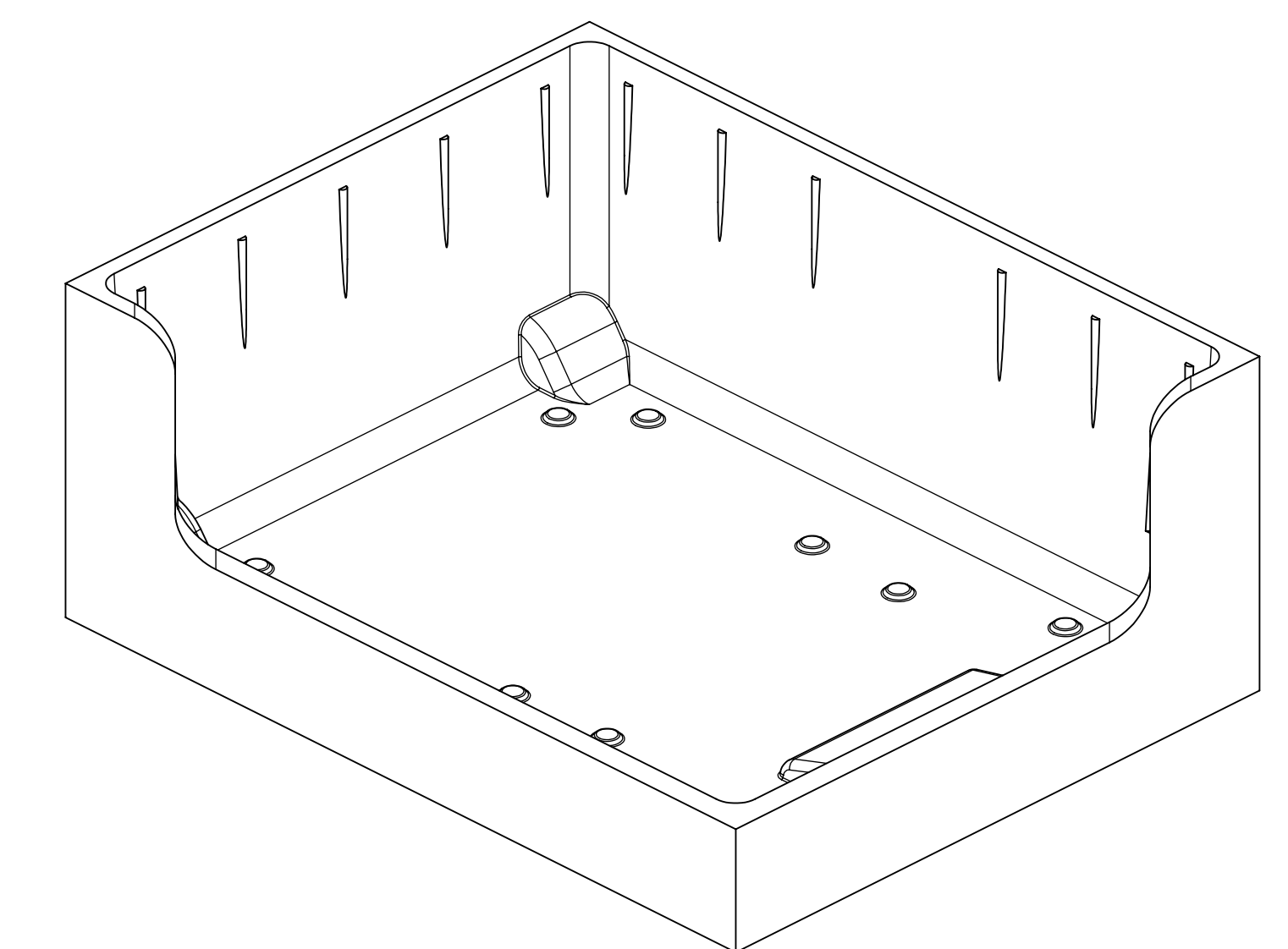
DETAIL C
SCALE 2 : 1



SECTION A-A



SECTION C-C



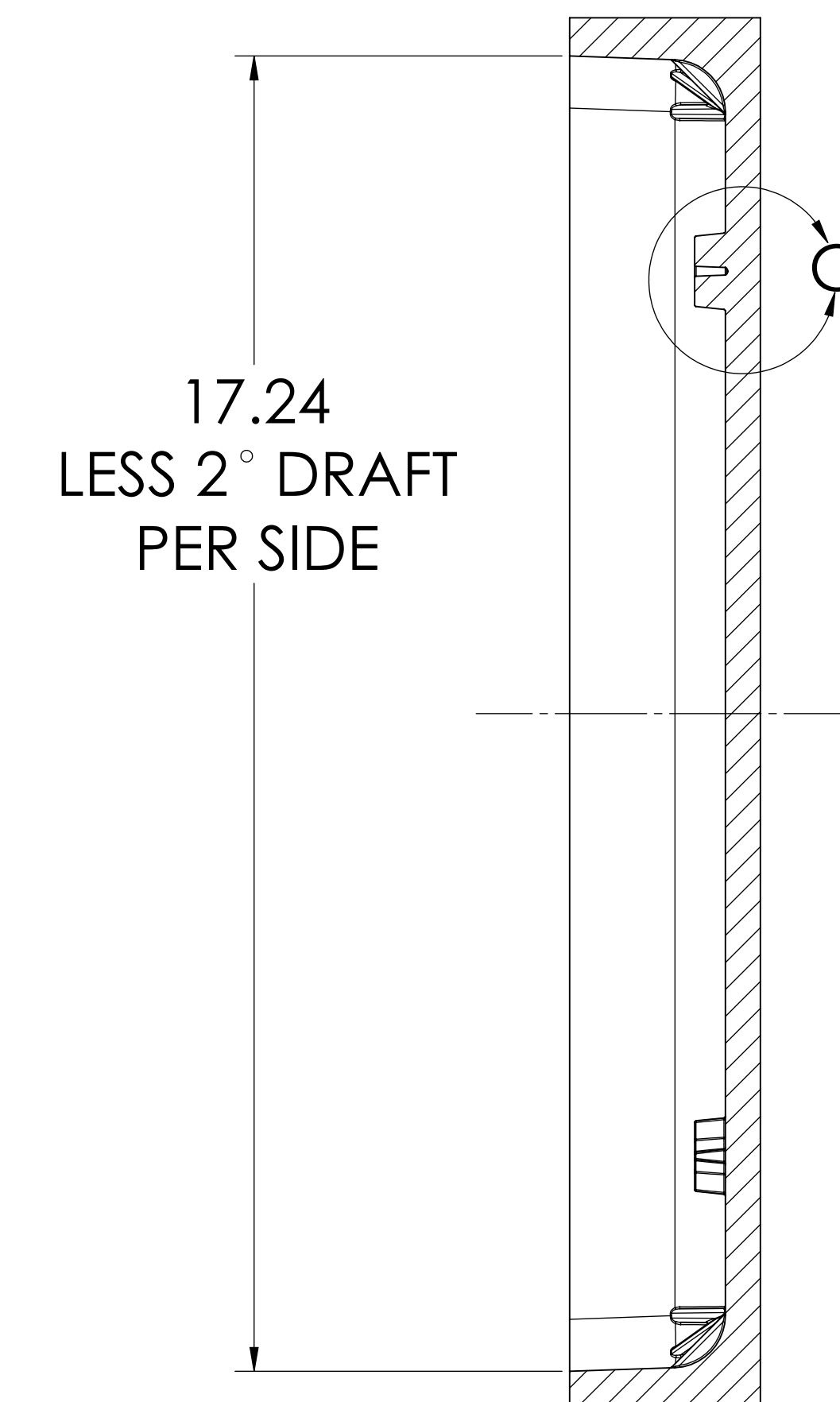
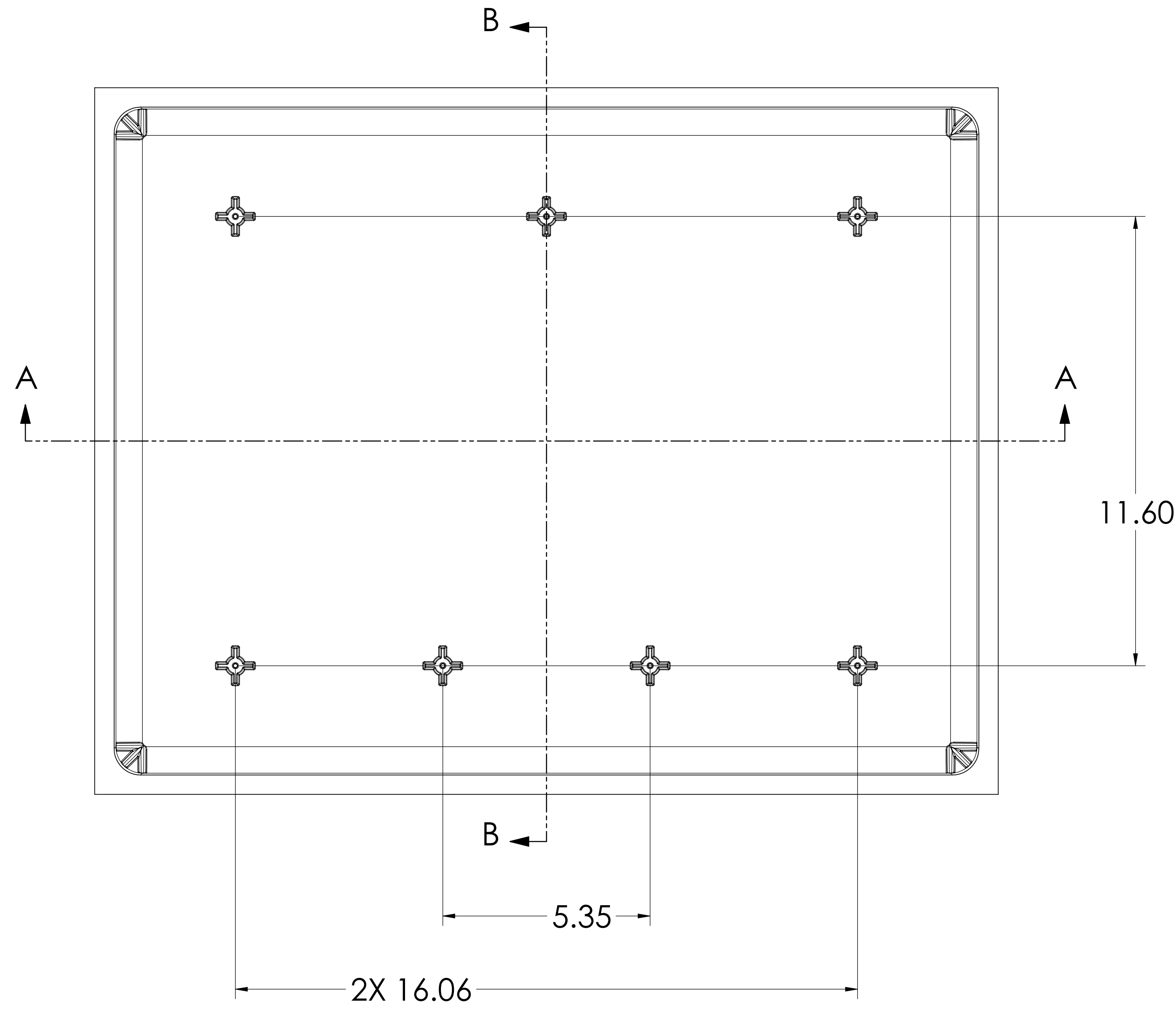
ALL DIMENSIONS ARE TO INTERNAL GEOMTERY OF CASE.

NOTES: UNLESS OTHERWISE SPECIFIED.

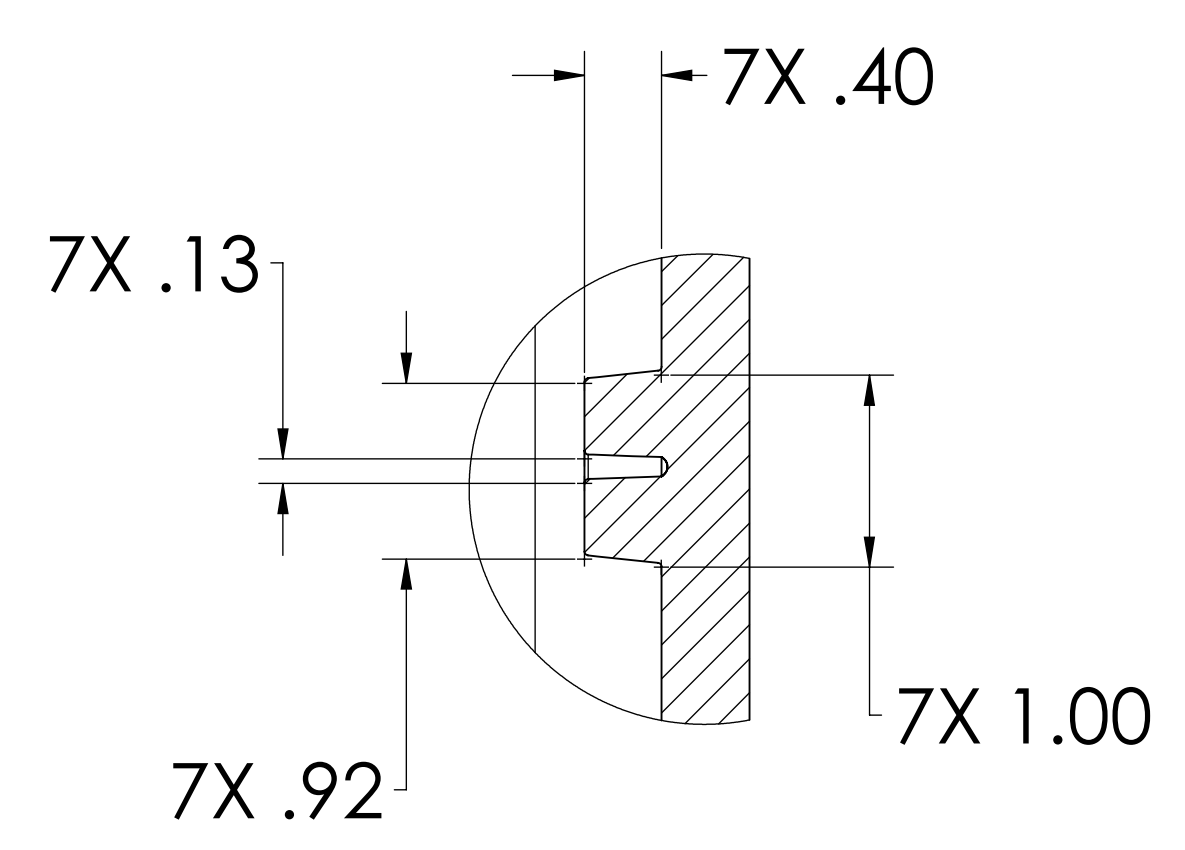
<p>PELICAN Your break it, we replace it.™ forever. This document contains information that is the property of Pelican Products Inc. All rights reserved. Reproduction or use of this document without written permission of Pelican Products Inc. is prohibited.</p>	APPROVALS: DATE DESIGNED: XXXX CHECKED: XXXX APPROVED:	APPROVALS: DATE DESIGNED: XXXX CHECKED: XXXX APPROVED:	PELICAN PRODUCTS INC. 23215 EARLY AVE., TORRANCE, CA 90505 (310) 326-4700 TITLE: 1610 CASE BOTTOM, INTERNAL GEOMETRY
	SIZE: E SCALE: 1:2 DRAWING NO.: 1612-931-CLR SHEET: 1 OF 1	REV: PR	DO NOT SCALE DRAWING

1612-931-CLR 00

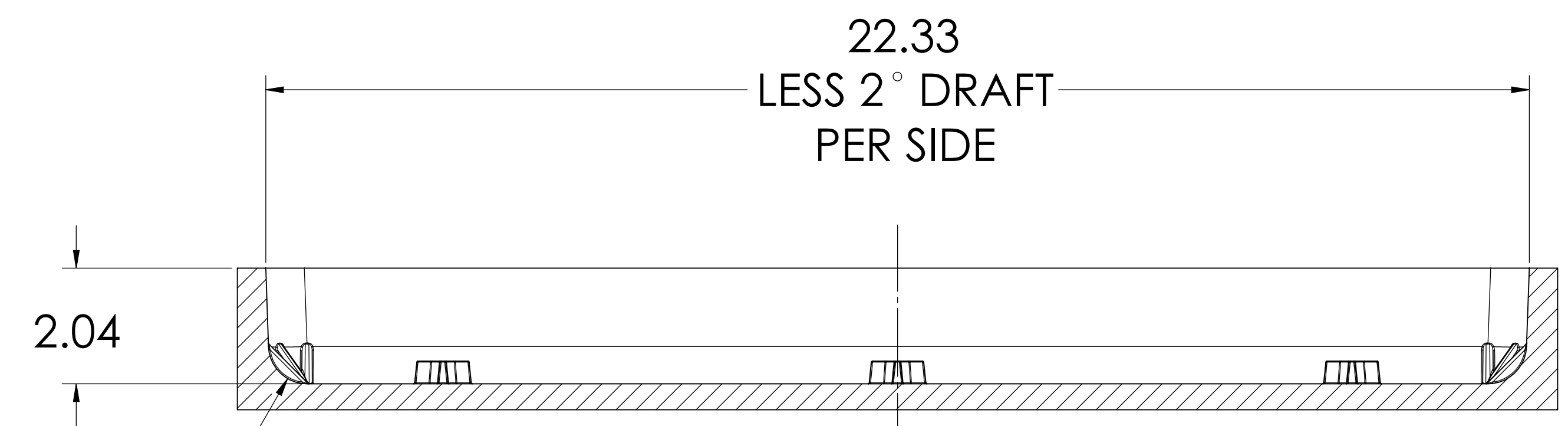
REVISIONS					
REV.	DESCRIPTION	ECO	DATE	DRAFTER	APPROVED
PR	OEM DRAWING RELEASE		6.25.08	DA	BT



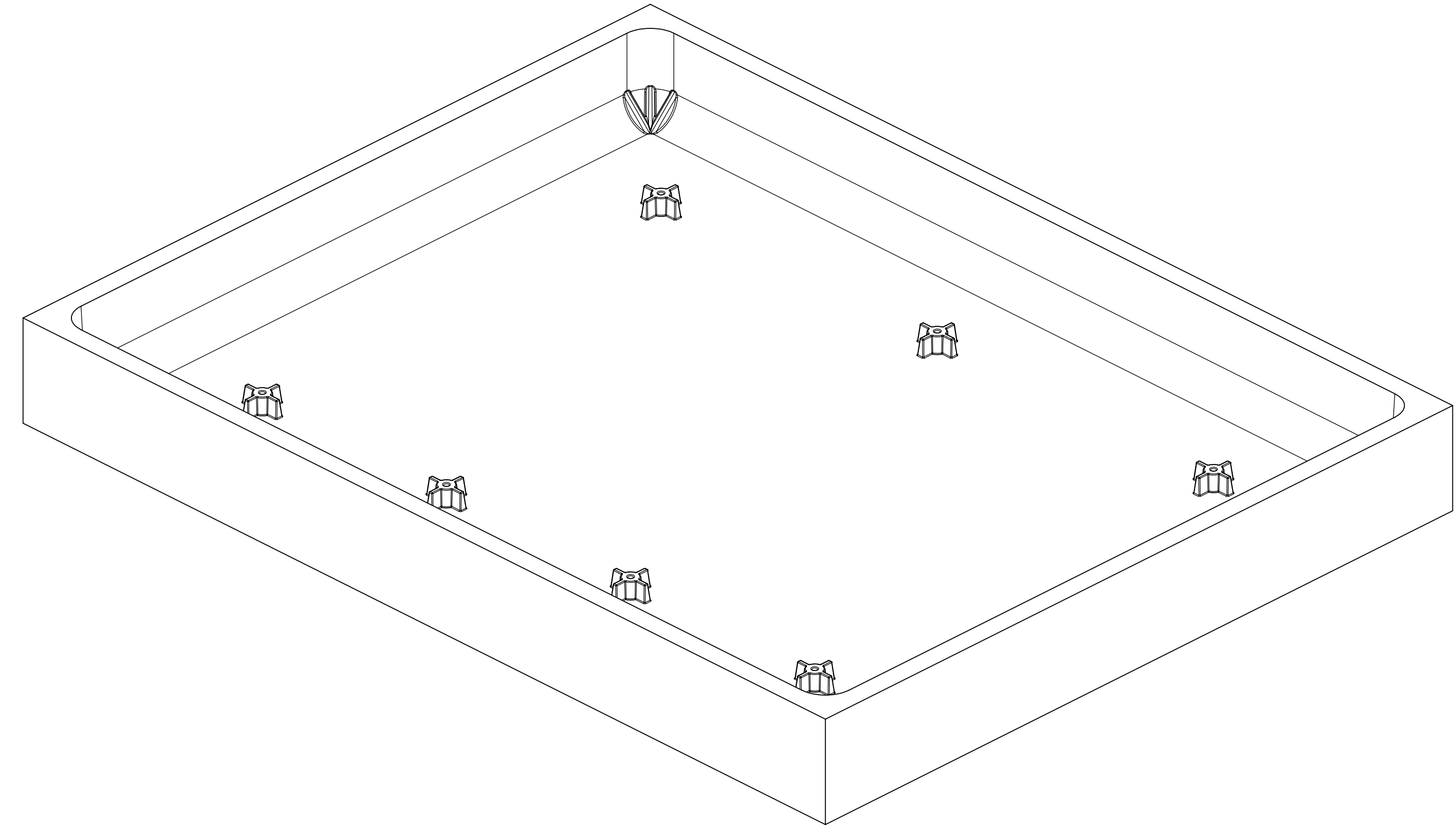
SECTION B-B



DETAIL C
SCALE 1:1



SECTION A-A



ALL DIMENSIONS ARE TO INTERNAL GEOMETRY OF CASE.
NOTES: UNLESS OTHERWISE SPECIFIED.

<p>PELICAN UNLESS OTHERWISE SPECIFIED TOLERANCES FRACTIONS DECIMALS ANGLES DIMENSIONS UNLESS OTHERWISE SPECIFIED</p>	APPROVALS	DATE	<p>PELICAN PRODUCTS INC. 23215 EARLY AVE., TORRANCE, CA 90505 (310) 326-4700</p>
	DATE	XXXX	
APPROVED			TITLE
			1610 CASE TOP INTERNAL GEOMETRY
SIZE	SCALE	DRAWING NO.	REV
E	1:2	1612-931T-CLR	PR
DO NOT SCALE DRAWING			SHEET 1 OF 1

1611-931T-CLR 00