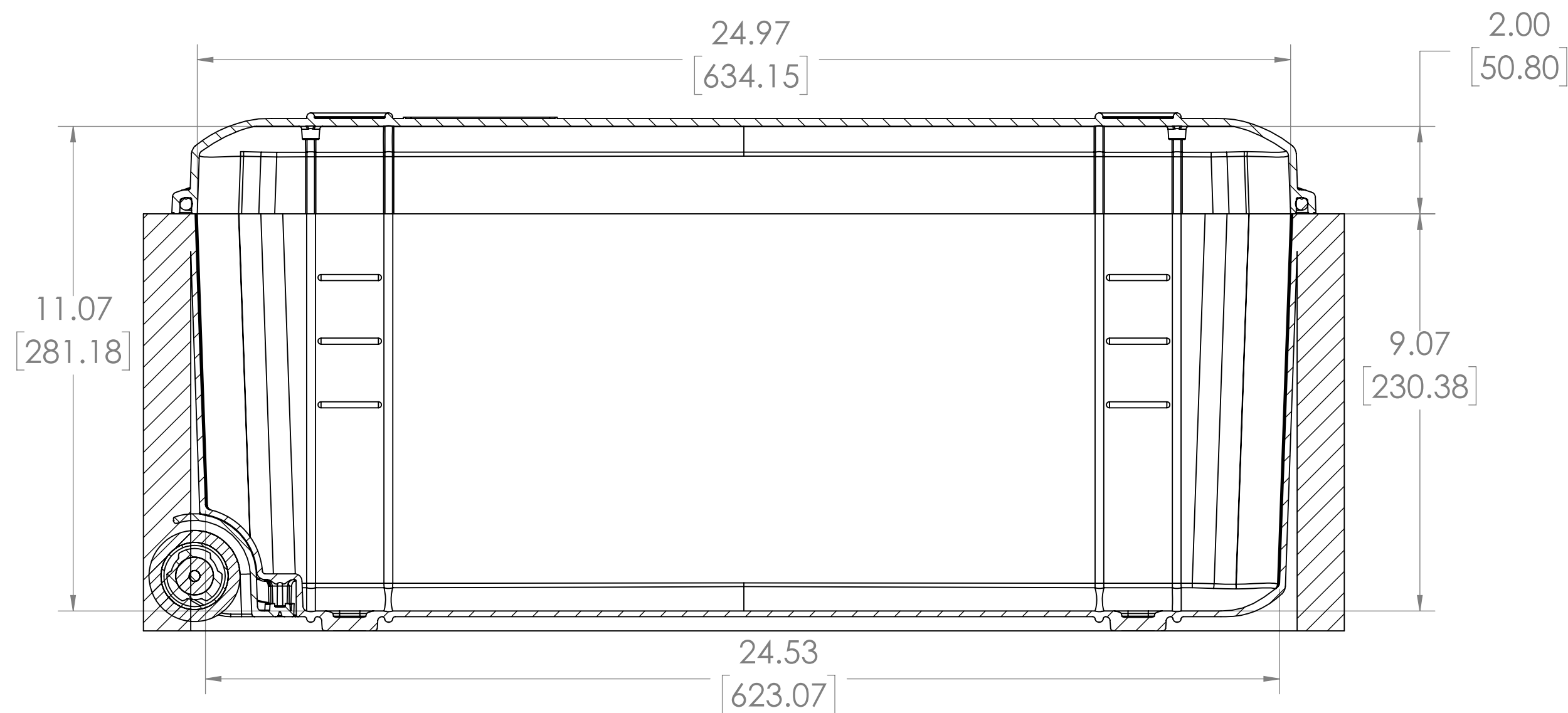


SECTION A-A
SCALE 1 : 2.75



SECTION B-B
SCALE 1 : 2.75

NOTES:

1. DIMENSIONS ARE FOR REFERENCE ONLY; TYPICAL INDUSTRY-STANDARD TOLERANCES APPLY
2. DIMENSIONS ARE IN: INCHES [mm]
3. REFER TO PELICAN.COM FOR CURRENT INFORMATION ON COLORS, CONFIGURATIONS, AND ACCESSORIES.



DATE 2.26.19 **PELICAN PRODUCTS INC.**
23215 EARLY AVE., TORRANCE, CA 90505 (310) 326-4700

1606 AIR CASE
CUSTOMER DRAWING