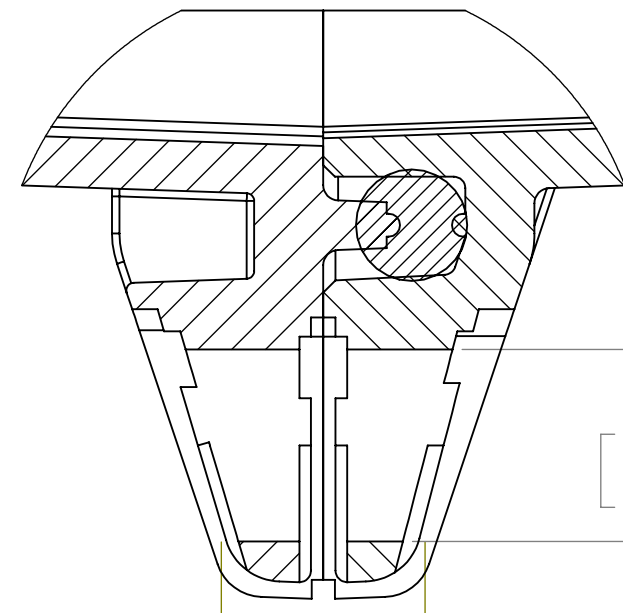
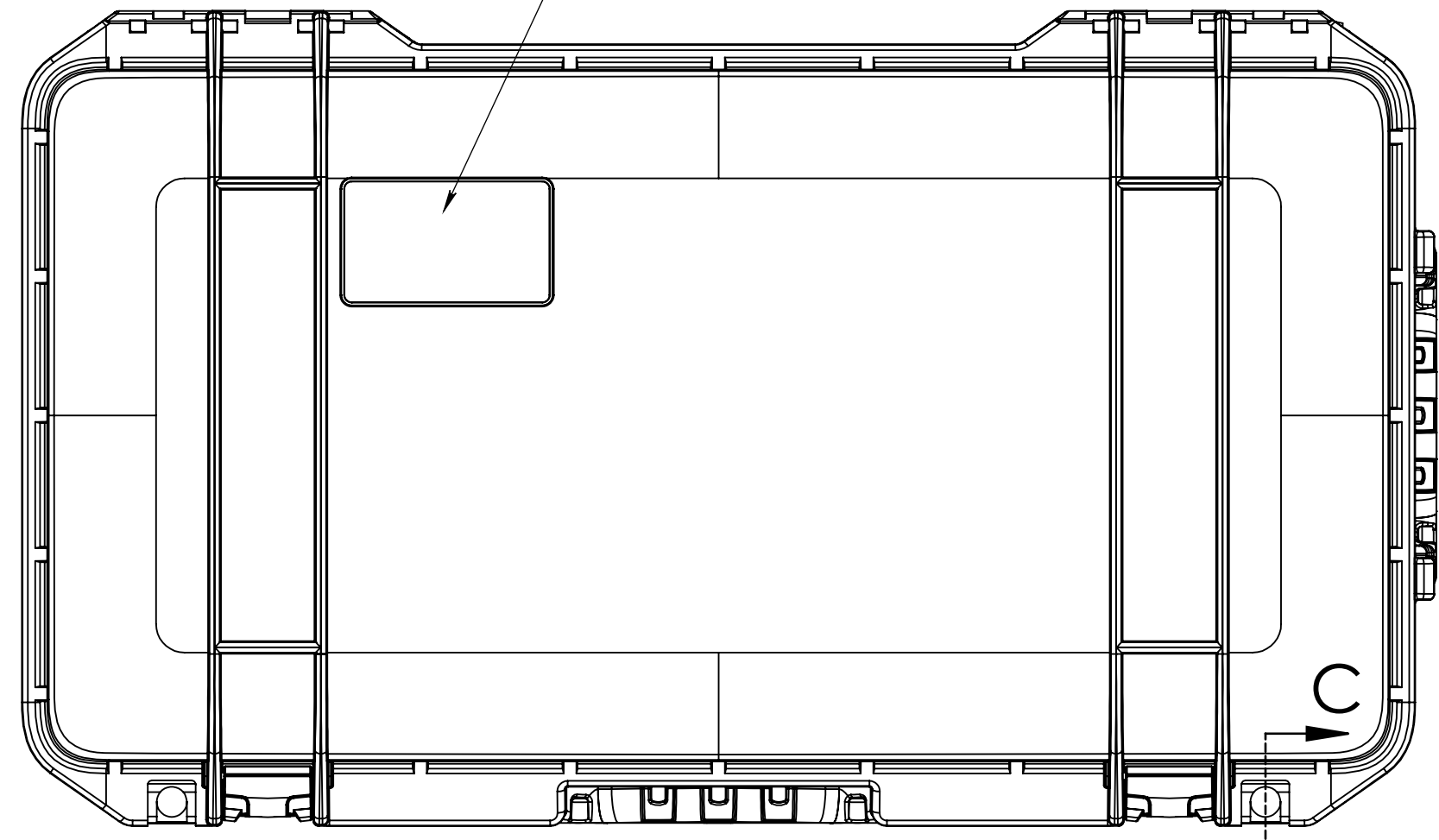


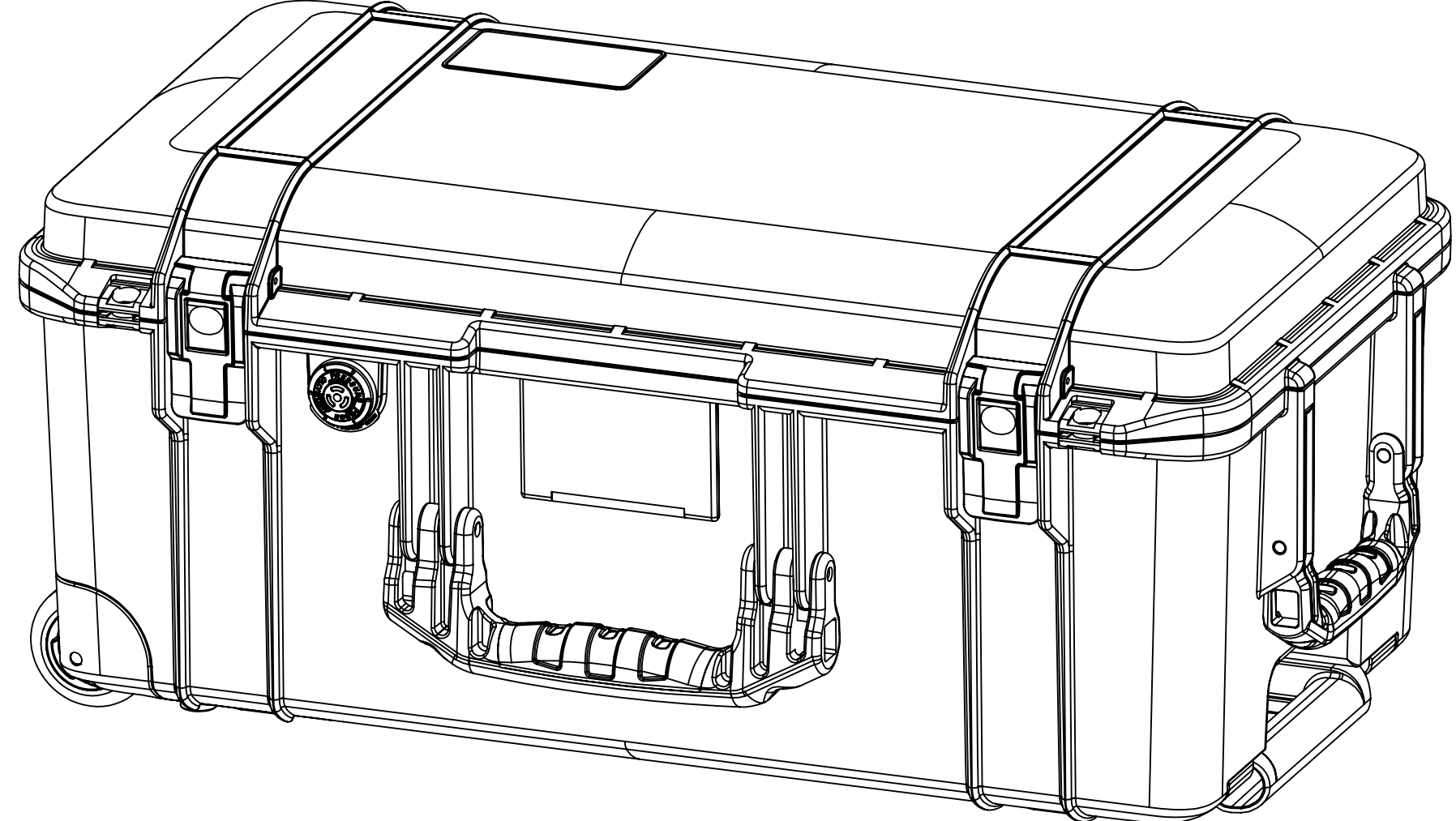
LABEL AREA
3.35" x 1.96" WITH R.1.25 CORNERS



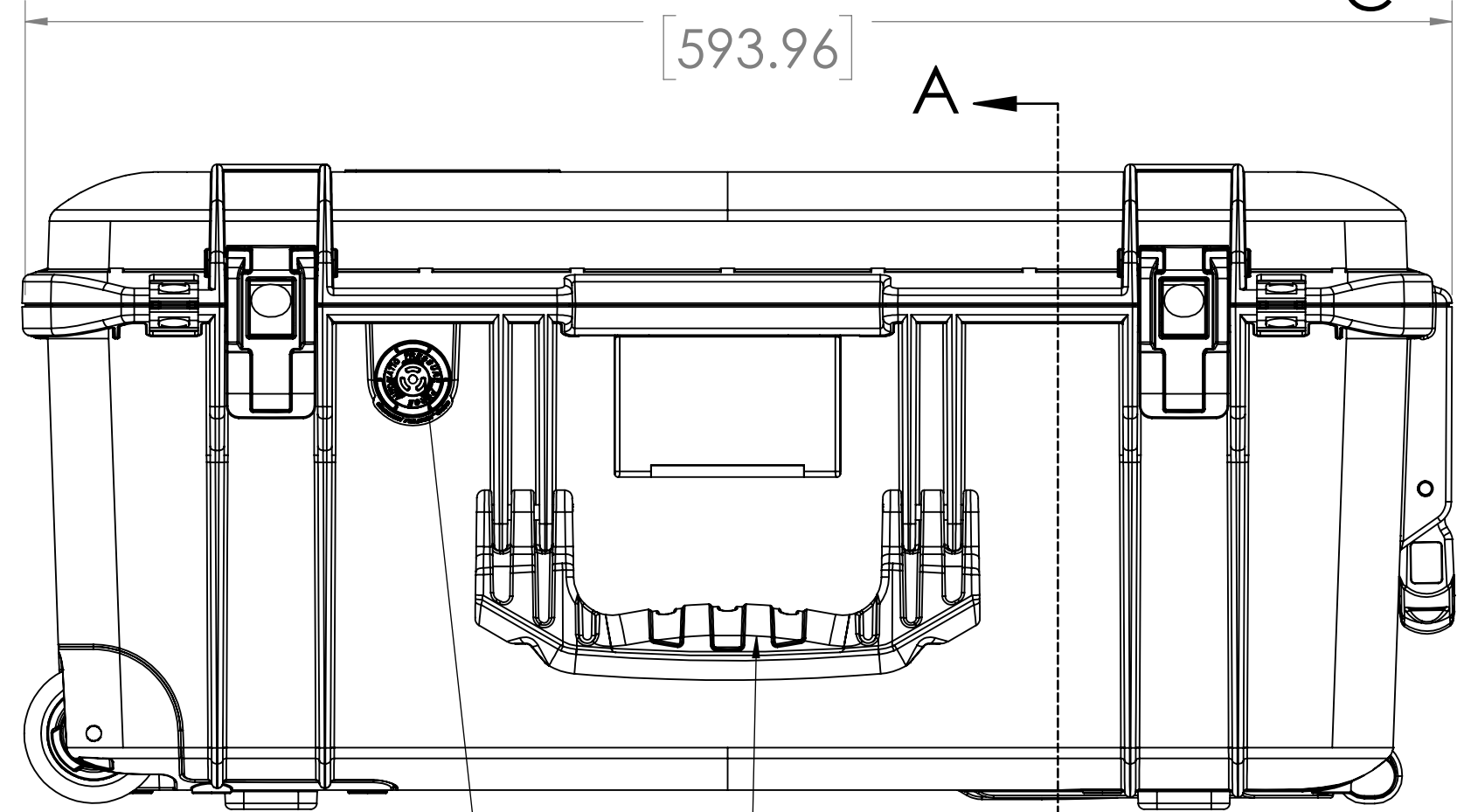
Ø .50
[12.70] LOCK PROTECTOR
FITS 3/8" LOCK HASP

.53
[13.47] MINIMUM HASP LENGTH

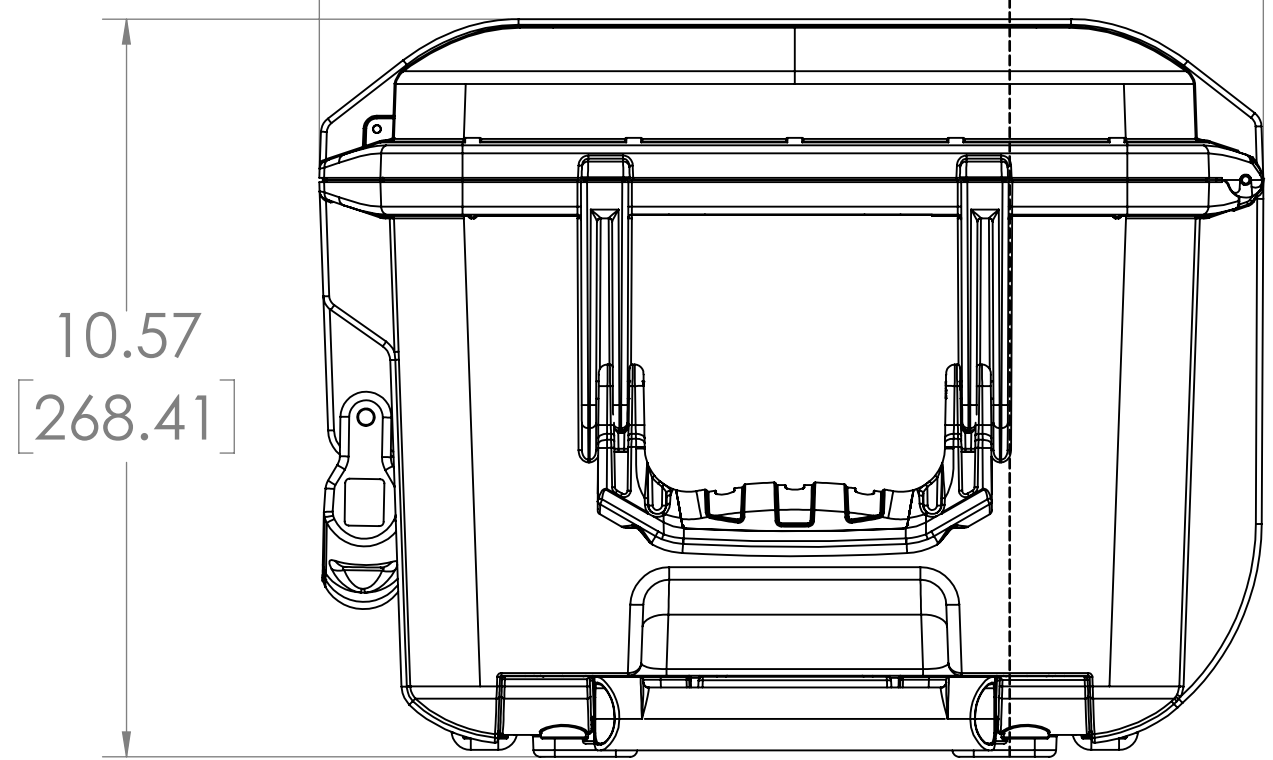
SECTION C-C
SCALE 2 : 1



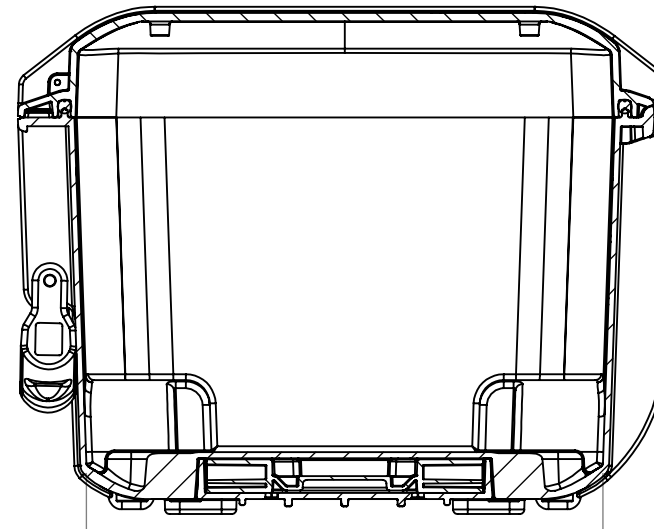
23.38
[593.96]



13.52
[343.40]



10.57
[268.41]



10.76
[273.22]

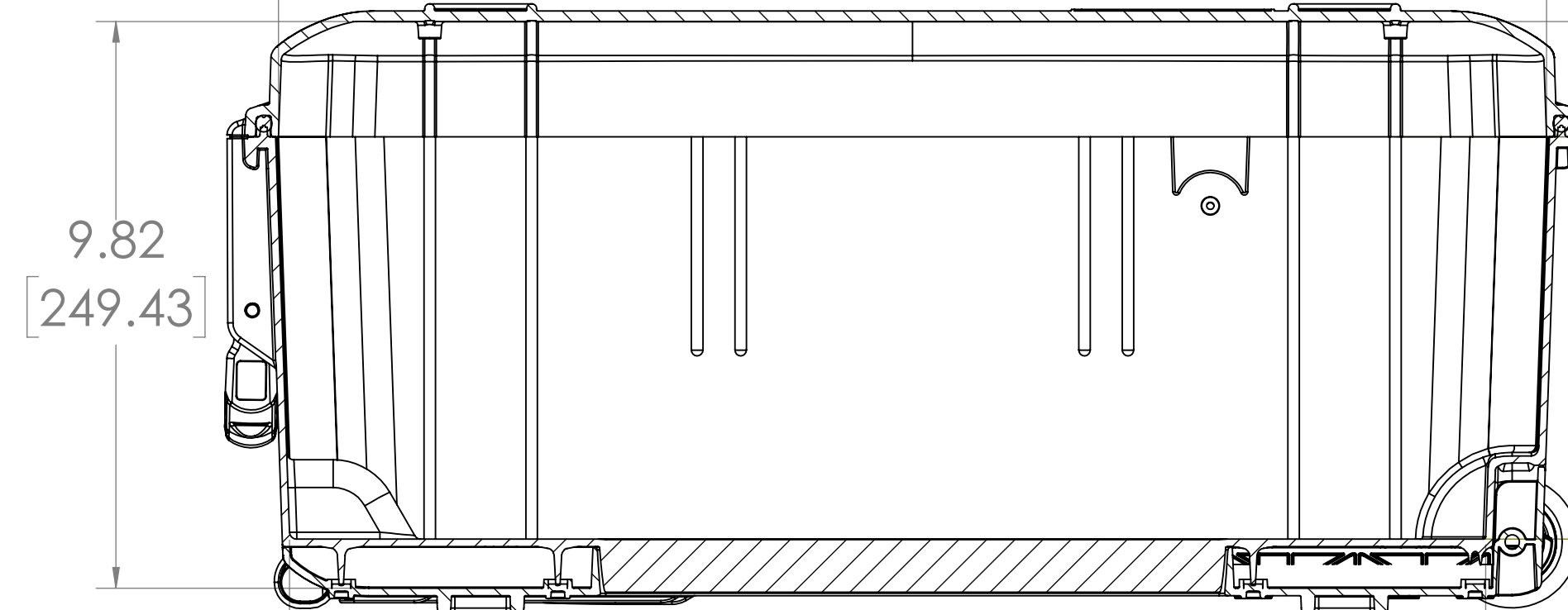
SECTION A-A

AUTOMATIC PRESSURE
EQUALIZATION VALVE

SOFT TOUCH
OVERMOLDED HANDLE

21.96
[557.80]

2.00
[50.80]



9.82
[249.43]

6.97
[177.04]

20.72
[526.18]

SECTION B-B
SCALE 1 : 2.75

NOTES:

1. DIMENSIONS ARE FOR REFERENCE ONLY; TYPICAL INDUSTRY-STANDARD TOLERANCES APPLY
2. DIMENSIONS ARE IN: INCHES [mm]
3. REFER TO PELICAN.COM FOR CURRENT INFORMATION ON COLORS, CONFIGURATIONS, AND ACCESSORIES.



This Drawing contains information proprietary to Pelican Products Inc. Any reproduction, disclosure or use of this drawing requires written permission of Pelican Products Inc.

DATE 2.26.19 **PELICAN PRODUCTS INC.**
23215 EARLY AVE., TORRANCE, CA 90505 (310) 326-4700

1556 AIR CASE
CUSTOMER DRAWING