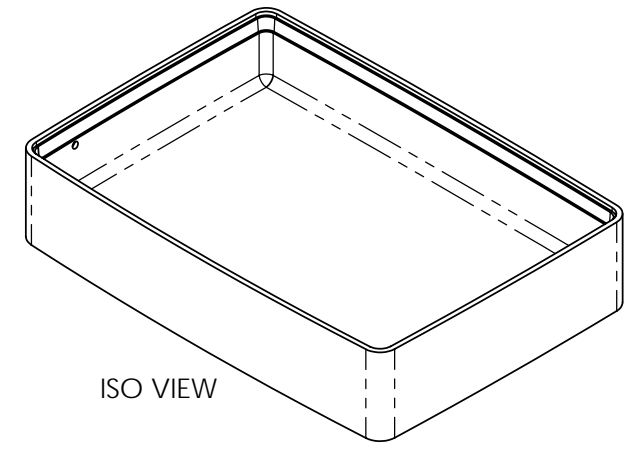
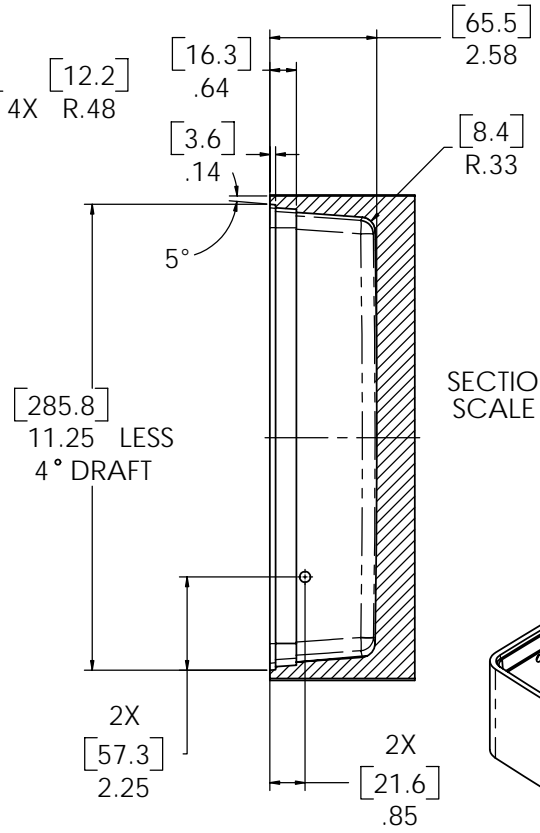
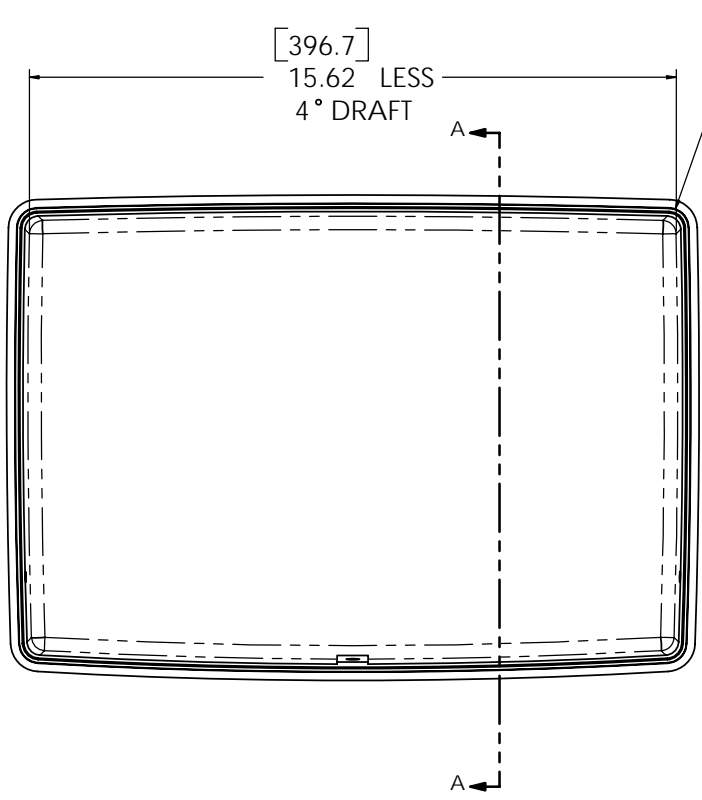


1470				
REVISIONS				
REV.	DESCRIPTION	DATE	DRTR	APPRVD



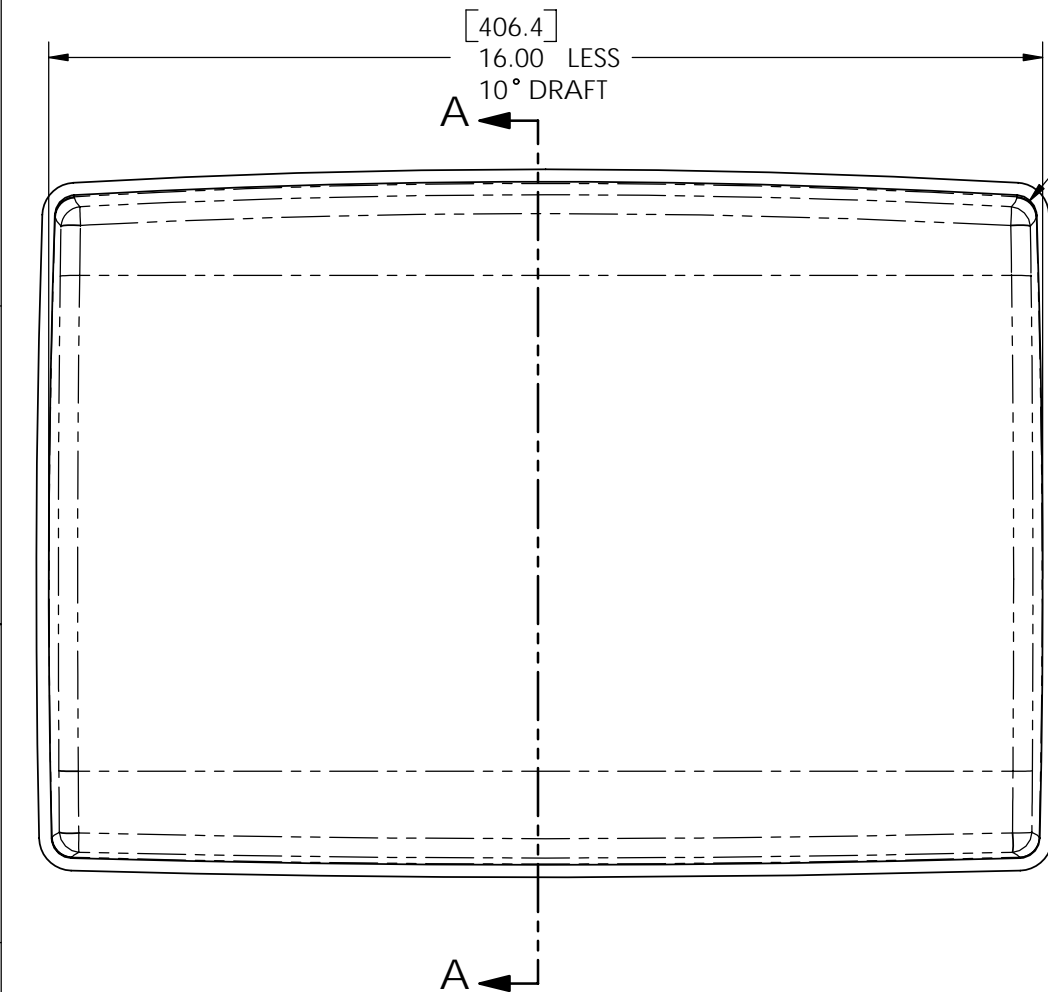
1. ALL DIMENSIONS ARE TO INTERNAL GEOMETRY OF CASE.  
 NOTES: UNLESS OTHERWISE SPECIFIED.



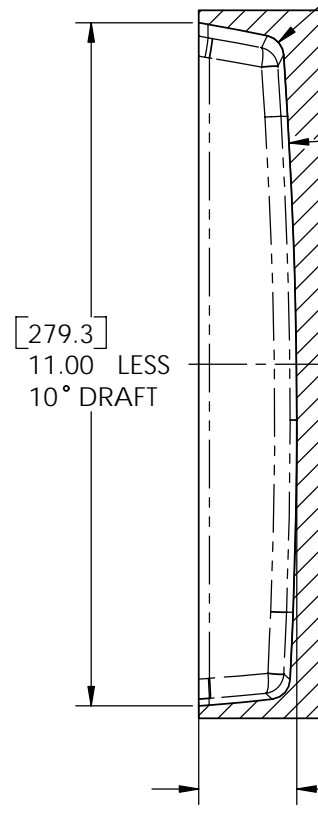
UNSPECIFIED TOLERANCE	APPROVALS	DATE	<b>PELICAN PRODUCTS INC.</b> 23215 EARLY AVE., TORRANCE, CA 90505 (310) 326-4700	
	TITLE	1470 LAPTOP CASE, BOTTOM INTERNAL GEOMETRY		
The Drawing contains information proprietary to Pelican Products Inc. Any reproduction, disclosure or use of this drawing requires written permission of Pelican Products Inc.	SIZE	SCALE	DRAWING NO.	PR
	D	1:1	1470	
DO NOT SCALE DRAWING				1 OF 1

1470

REVISIONS				
REV.	DESCRIPTION	DATE	DRFTR	APPRVD

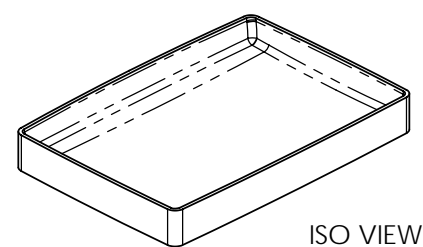


4X  $[8.4]$   
TRUE R.33



$[8.9]$   
R.35

$[2082.8]$   
R82.00



SECTION A-A  
SCALE 1 : 2

1. ALL DIMENSIONS ARE TO INTERNAL GEOMETRY OF CASE.  
NOTES: UNLESS OTHERWISE SPECIFIED.



UNSPECIFIED TOLERANCES	APPROVALS	DATE	<b>PELICAN PRODUCTS INC.</b> 23215 EARLY AVE., TORRANCE, CA 90505 (310) 326-4700			
	DESIGN		TITLE 1470 CUBE CASE, TOP INTERNAL GEOMETRY			
	CHECKED					
	APPROVED		SIZE <b>B</b>	SCALE	DRAWING NO. 1470	REV PR
This Drawing contains information proprietary to Pelican Products Inc. any reproduction disclosure or use of this drawing requires written permission of Pelican Products Inc.						
DO NOT SCALE DRAWING					SHEET OF	