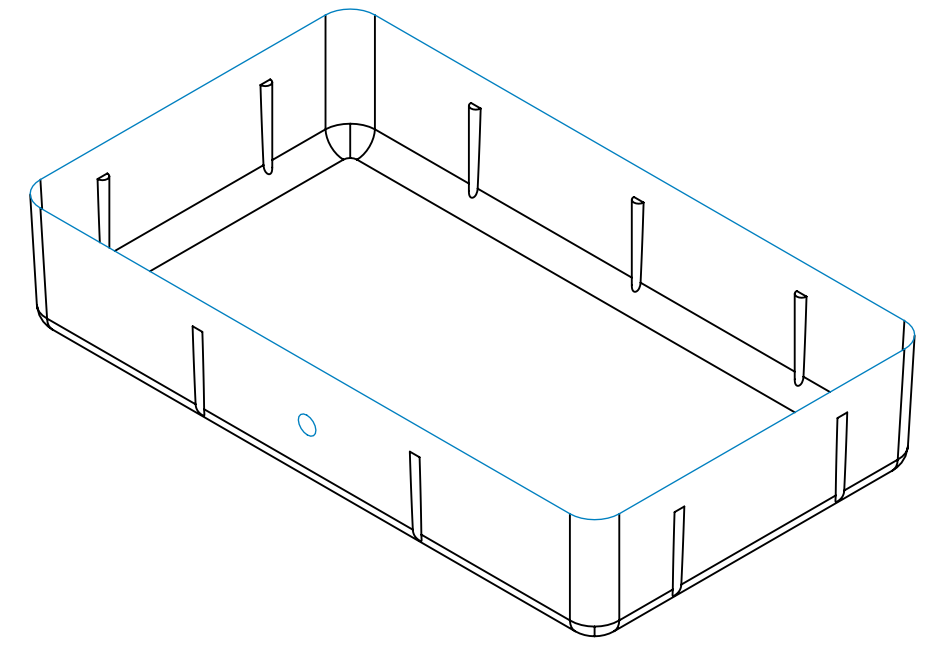
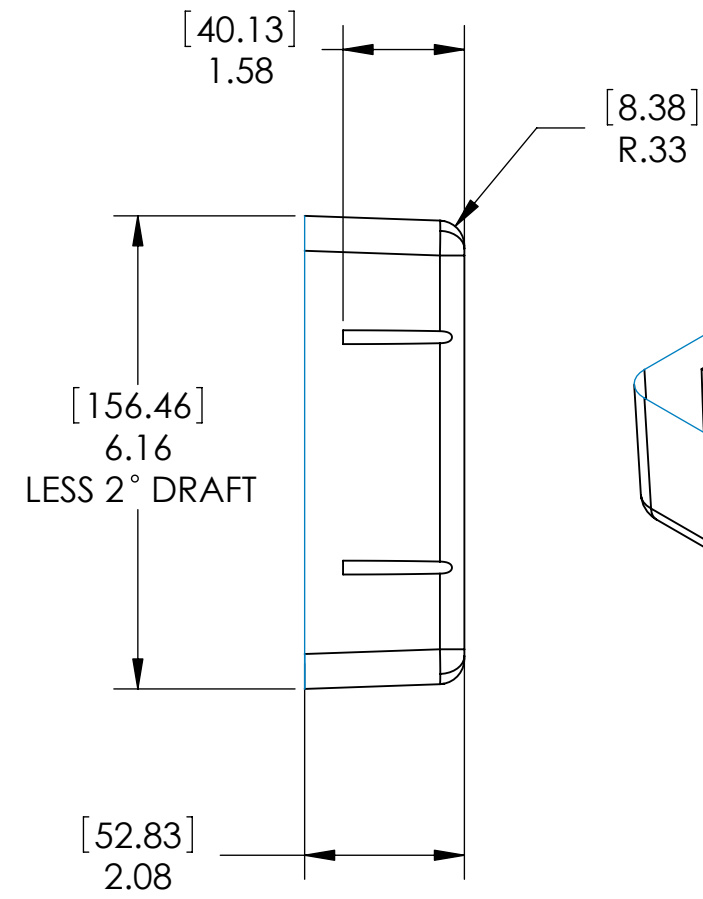
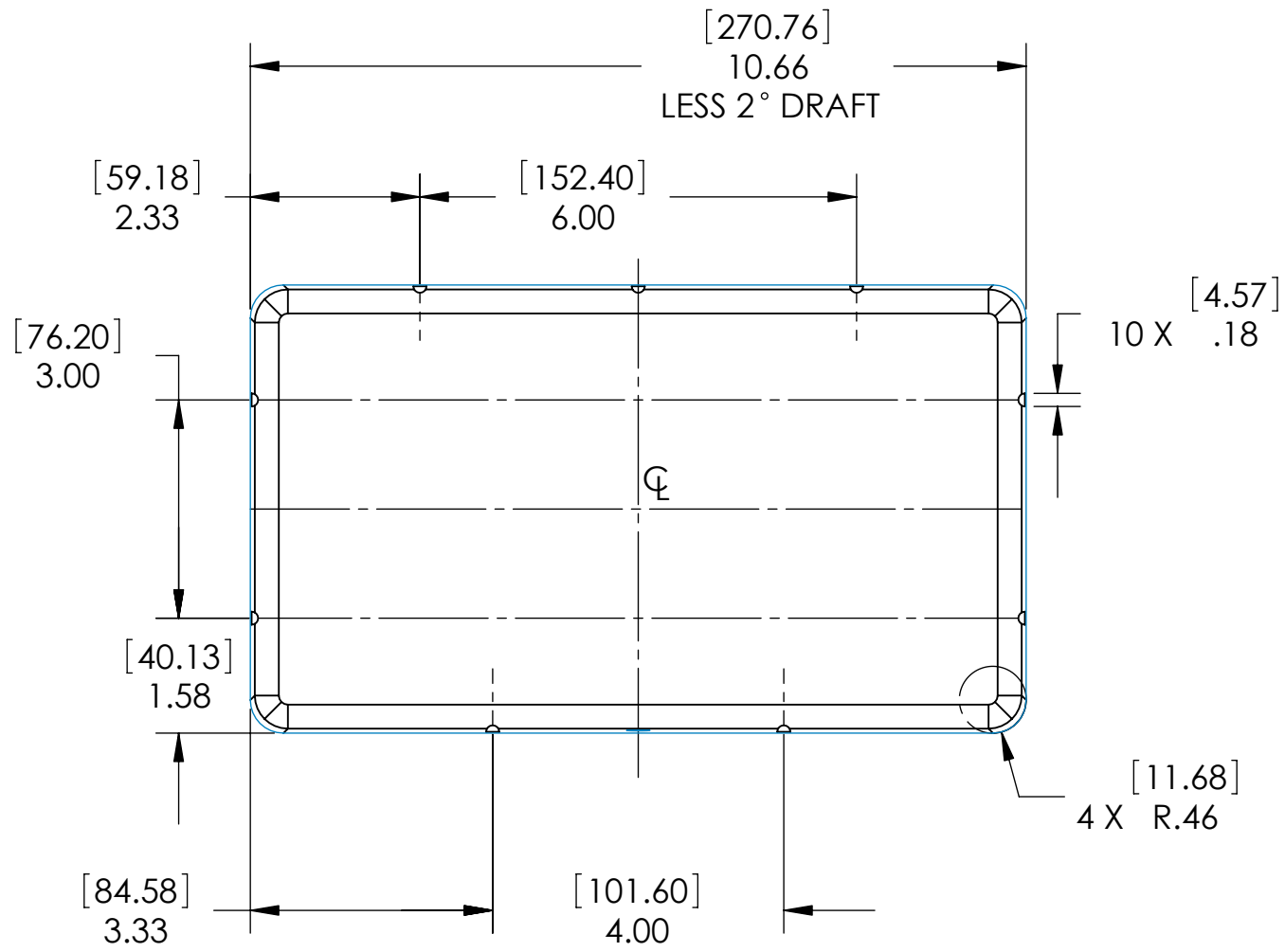


REVISIONS					
REV.	DESCRIPTION	ECO#	DATE	DRFTR	APPR'VD



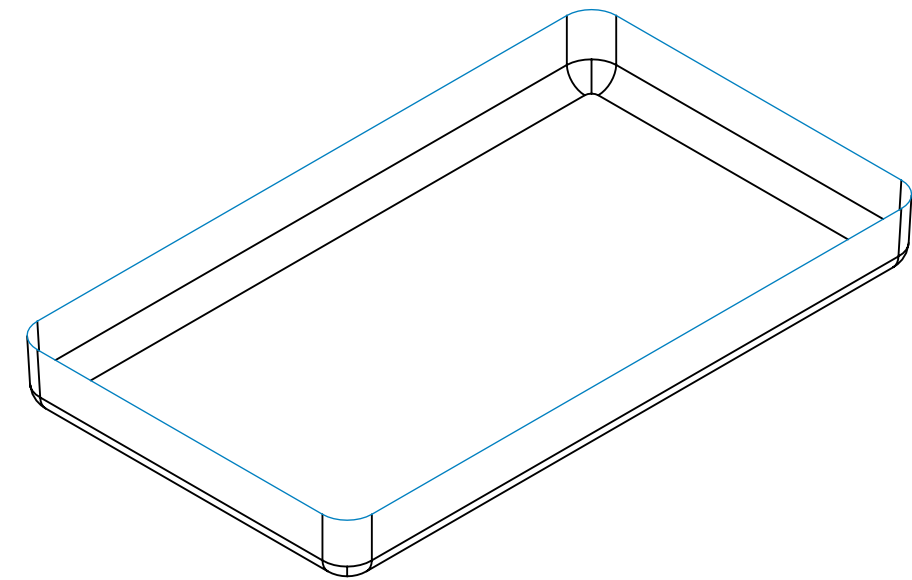
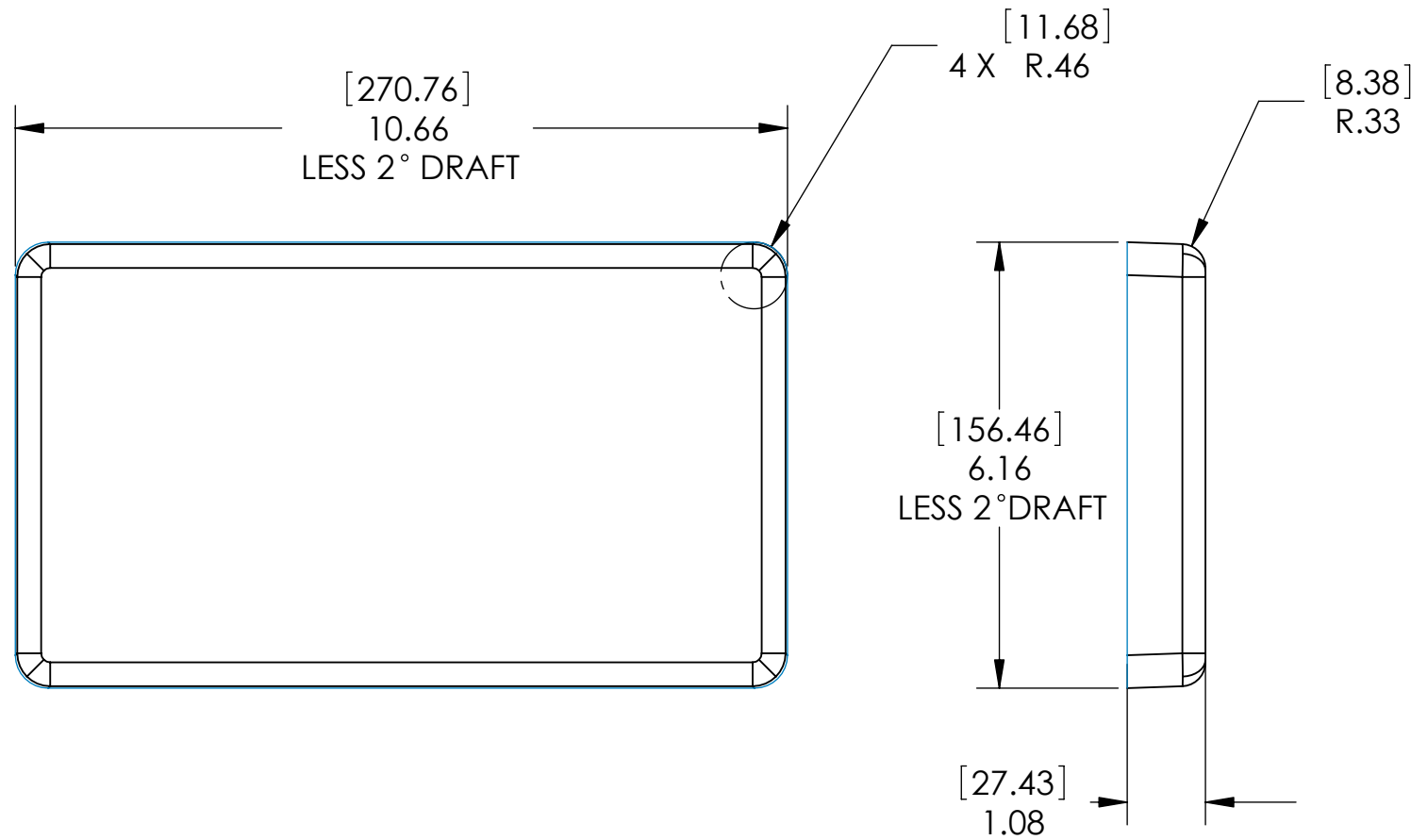
1. ALL DIMENSION ARE TO INTERNAL GEOMETRY CASE.
NOTE: UNLESS OTHERWISE SPECIFIED.



This Drawing contains information proprietary to Pelican Products Inc. any reproduction disclosure or use of this drawing requires written permission of Pelican Products Inc.

APPROVALS DATE		PELICAN PRODUCTS INC.			
DESIGN	XX	XXXX	23215 EARLY AVE., TORRANCE, CA 90505 (310) 326-4700		
CHECKED			TITLE		
APPROVED			1170 CUBE CASE BOTTOM INTERNAL GEOMETRY		
			SIZE	SCALE	DRAWING NO.
			B	1:2.5	1170
DO NOT SCALE DRAWING			SHEET	1	OF 1
			REV	PR	

REVISIONS					
REV.	DESCRIPTION	ECO#	DATE	DRFTR	APPR'VD



1. ALL DIMENSION ARE TO INTERNAL GEOMETRY CASE.
NOTE: UNLESS OTHERWISE SPECIFIED.



This Drawing contains information proprietary to Pelican Products Inc. any reproduction disclosure or use of this drawing requires written permission of Pelican Products Inc.

APPROVALS		DATE	PELICAN PRODUCTS INC.		
DESIGN	XX	XXXX	23215 EARLY AVE., TORRANCE, CA 90505 (310) 326-4700		
CHECKED			TITLE 1170 CUBE CASE TOP INTERNAL GEOMETRY		
APPROVED					
			SIZE	SCALE	DRAWING NO.
			B	1:2.5	1170
			REV	PR	
DO NOT SCALE DRAWING				SHEET	1 OF 1