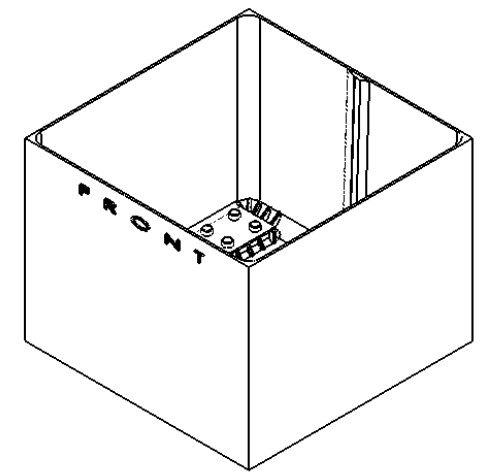
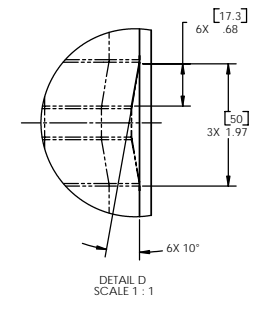
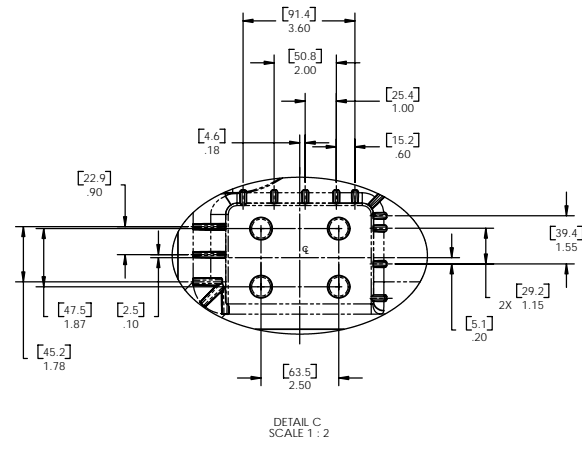
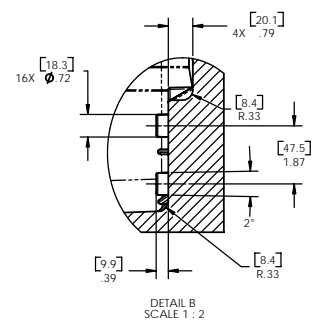
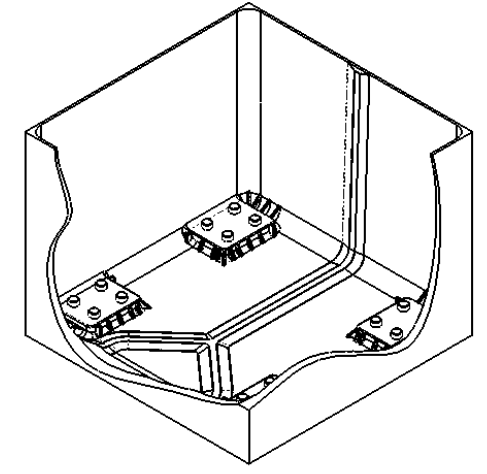
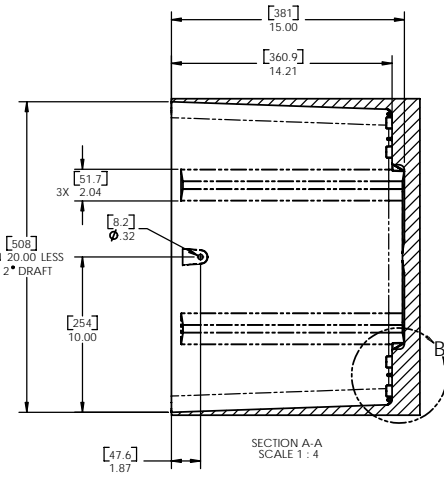
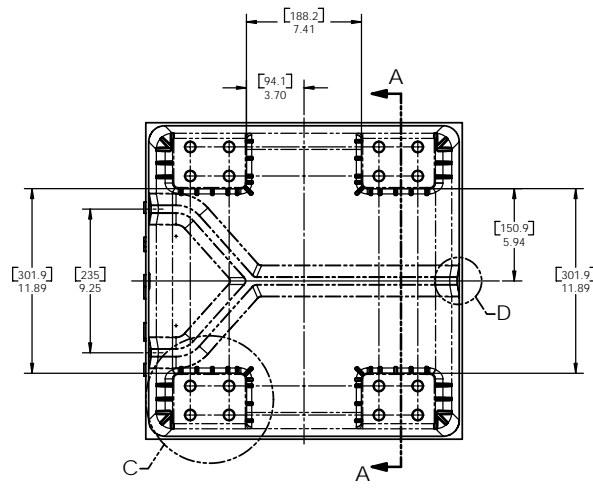



REVISIONS				
REV	DESCRIPTION	DATE	ENR/IR	APPROV

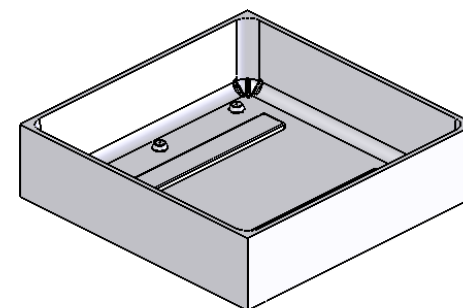
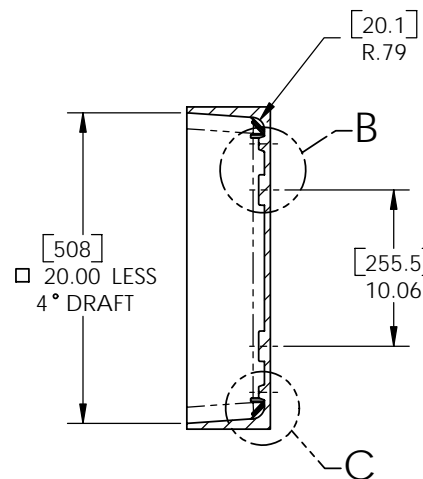
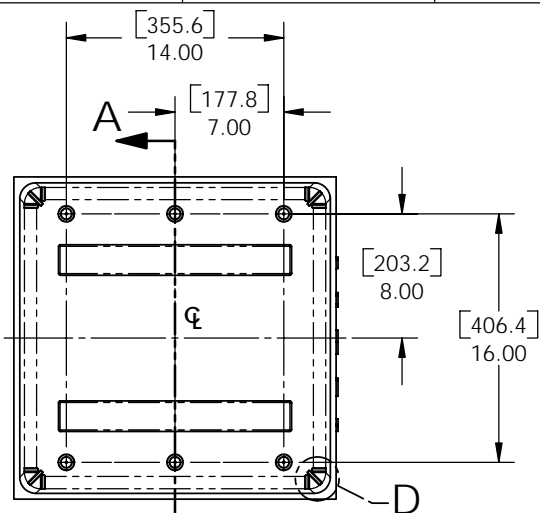


1. ALL DIMENSIONS ARE TO INTERNAL GEOMETRY OF CASE.  
 NOTES: UNLESS OTHERWISE SPECIFIED.

 <p><b>PELICAN</b> You break it, we replace it... forever.</p>	UNSPECIFIED TOLERANCES	APPROVALS DATE	<b>PELICAN PRODUCTS INC.</b> 23215 EARLY AVE., TORRANCE, CA 90505 (310) 326-4700												
	<small>The Drawing contains information proprietary to Pelican Products Inc. Any reproduction, disclosure or use of this drawing requires written permission of Pelican Products Inc.</small>	<table border="1"> <tr><td> </td><td> </td></tr> <tr><td> </td><td> </td></tr> <tr><td> </td><td> </td></tr> </table>							<table border="1"> <tr><td> </td><td> </td></tr> <tr><td> </td><td> </td></tr> <tr><td> </td><td> </td></tr> </table>						
SIZE <b>D</b>	SCALE <b>1:1</b>	DRAWING NO. <b>0350</b>	1 OF 1												
DO NOT SCALE DRAWING			1 OF 1												

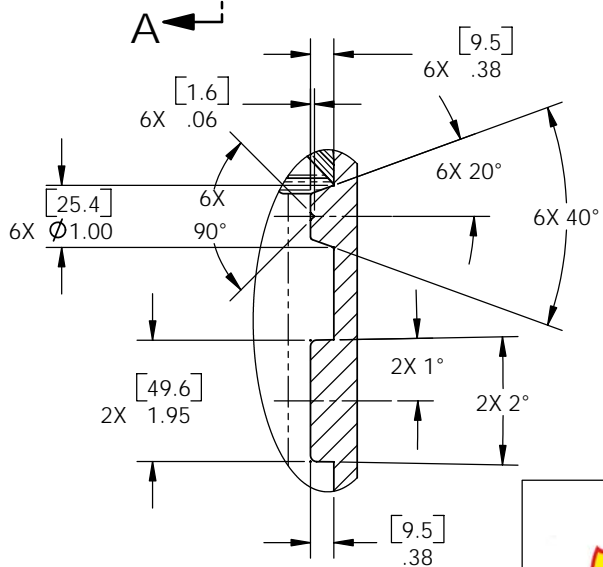
0350

REVISIONS				
REV.	DESCRIPTION	DATE	DRFTR	APPRVD

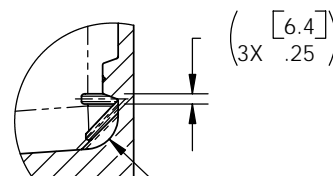


SECTION A-A  
SCALE 1 : 8

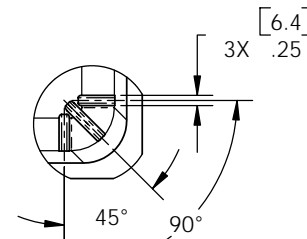
ISO VIEW



DETAIL B  
SCALE 1 : 2



DETAIL C  
SCALE 1 : 3



DETAIL D  
SCALE 1 : 3

1. ALL DIMENSIONS ARE TO INTERNAL GEOMETRY OF CASE.  
NOTES: UNLESS OTHERWISE SPECIFIED.



UNSPECIFIED TOLERANCES

APPROVALS DATE

DESIGN

CHECKED

APPROVED

**PELICAN PRODUCTS INC.**

23215 EARLY AVE., TORRANCE, CA 90505 (310) 326-4700

TITLE  
**0350 CUBE CASE, TOP  
INTERNAL GEOMETRY**

SIZE

**B**

SCALE

1:1

DRAWING NO.

0350

REV

DO NOT SCALE DRAWING

SHEET 1 OF 1